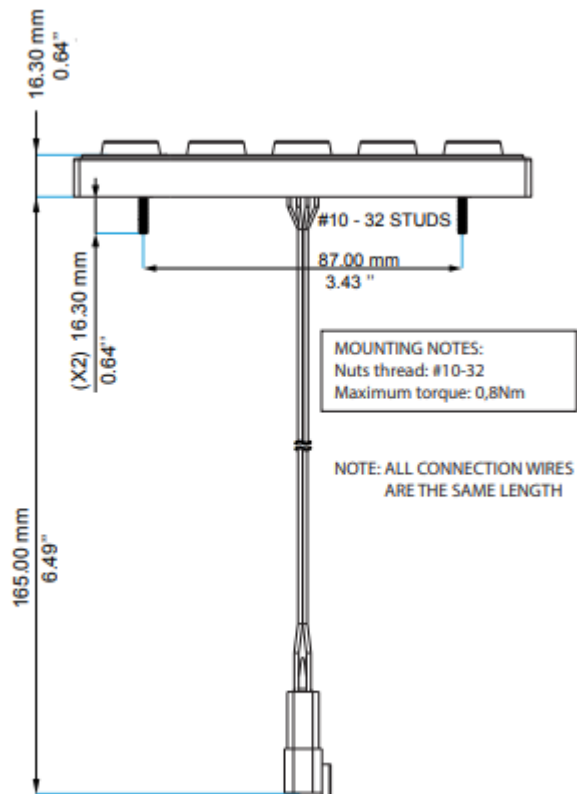
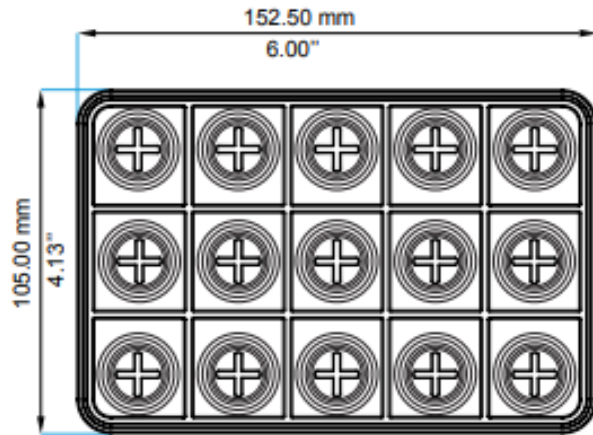


Supply Voltage	12-24Vdc Nominal (8-32VDC)
Standby Current	<50 mA
Communication BUS	CAN
MTBF	239870 hours (in accordance with MIL-HDBK-217 – operating environment Ground Mobile)

MECHANICAL

Connector	Deutsch DT04-4P
Switch Life	3 million operations
Mounting Studs	#10-32 Steel
Keypad	Silicone rubber with polyurethane hardcoat
PC Board	1,6mm thick, Nema Grade FR-4, double clad with 1oz copper
Operating Temperature	-40°C to +70°C
Storage Temperature	-40°C to +85°C
Thermal Shock	-40°C to +85°C According to table 2 of ISO16750-4
UV Protection	UVB 400 hours
Salt Spray	Per ASTM B117
Chemical Resistance	Deet, Engine Cleaner, Isopropyl Alcohol, Suntan Lotion, Multi-Purpose Cleaner, Orange Citrus Cleaner, Muriatic Acid
Ingress protection Rating	IP67/IP69K



15 Key Keypad LED & Backlight Setup

All **PWM32 15W Keypad** Save Save As Close Transmit
 Channels | ECU Stream | CAN2 Stream | CAN2 Keypad | CAN Expansions | Math Channels | Status Variables | Parameters | Shift Lights and Alarms | Trigger Commands | Power Outputs | Icons Manager | Display | SmartyCam Stream | **CAN Output**

Can 1 | **Can 2**

Set CAN Payload Details

Num Bytes: 1 byte

Use channel
 Use static value:
 Use counter: step: start: end:

OK | Delete | Cancel

Color table:

Code	Color
00h	OFF
01h	Red
02h	Green
03h	Blue
04h	Yellow
05h	Cyan
06h	Violet
07h	White/light blue
08h	Amber/orange
09h	Yellow/green

Bit Rate Protocol (bits) 1 M bits

When the selected ECU protocol frequency must be set to 1 M bits and cannot be changed

CAN ID (hex)	Byte 0	Byte 1	Byte 2	Byte 3	Byte 4	Byte 5	Byte 6	Byte 7
0x180	K1 Tog	K2 Tog	K3 Tog	K4 Tog	K5 Mom	STATIC VALUE: '1'	STATIC VALUE: '7'	TR → NO OUTPUT →
0x190	K6 Tog	K7 Tog	K8 Tog	K9 Tog	K10 Mom	STATIC VALUE: '8'	TR → NO OUTPUT →	
0x1A0	K11 Tog	K12 Tog	K13 Tog	K14 Tog	K15 Mom	TR →	→ NO OUTPUT →	

Set CAN Payload Details

Num Bytes: 1 byte

Use channel:
 Use static value:
 Use counter: step: start: end:

Multiplier (a):
 Offset (b):

OK | Delete | Cancel

