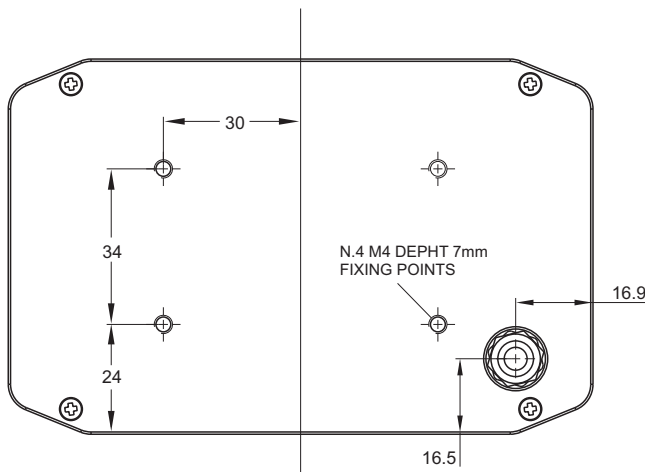
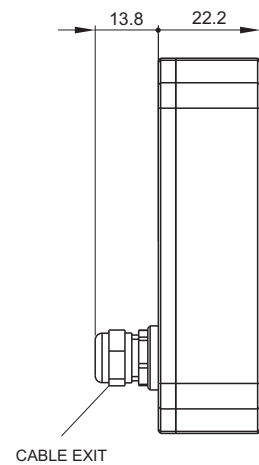
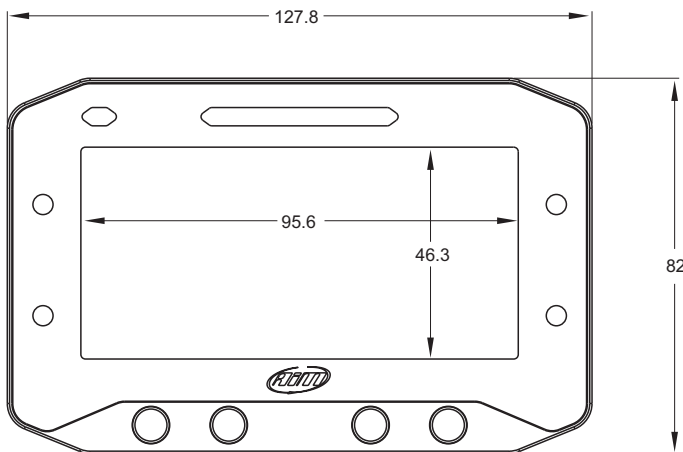




AiM GS-Dash Display



AiM GS-Dash

Display

Technical specifications

Display resolution	268 x 128 pixels
Backlight	7 configurable RGB colors
Ambient light sensor	Yes
Shift lights	5 configurable RGB LEDs
Alarm LEDs	4 configurable RGB LEDs
Display pages	Fully configurable
Body	Aluminum
Pushbuttons	Metallic
Dimensions	127.8 x 82 x 22.2 mm
Weight	380 g
Waterproof	IP65

In the box

GS-Dash with spiral cable

AiM GS-Dash Display

Part numbers

X55GSDASH0 GS-Dash with spiral cable

Kits with EVO4S

Kit 1

GS-Dash, EVO4S, GPS08 Module (different lengths, see below), 1 power cable, 1 digital output + RPM cable, **1 CAN cable**, 1 USB cable, bracket, Race Studio 3 software CD

X61E4S1301GS GS-Dash with EVO4S and GPS08 Module 1.3 m length cable

X61E4S2001GS GS-Dash with EVO4S and GPS08 Module 2 m length cable

X61E4S4001GS GS-Dash with EVO4S and GPS08 Module 4 m length cable

X61E4S40R1GS GS-Dash with EVO4S and GPS08 Module Roof version 4 m length cable

Kit 2

GS-Dash, EVO4S, GPS08 Module (different lengths, see below), 1 power cable, 1 digital output + RPM cable, **1 OBD2* cable**, 1 USB cable, bracket, Race Studio 3 software CD

X61E4S1302GS GS-Dash with EVO4S and GPS08 Module 1.3 m length cable

X61E4S2002GS GS-Dash with EVO4S and GPS08 Module 2 m length cable

X61E4S4002GS GS-Dash with EVO4S and GPS08 Module 4 m length cable

X61E4S40R2GS GS-Dash with EVO4S and GPS08 Module Roof version 4 m length cable

Kits with EVO5

GS-Dash, EVO5, GPS08 Module (different lengths, see below), SD card, 37 pin harness, USB cable, bracket, Race Studio 3 software CD

X62EVO5130GS GS-Dash with EVO5 and GPS08 Module 1.3 m length cable

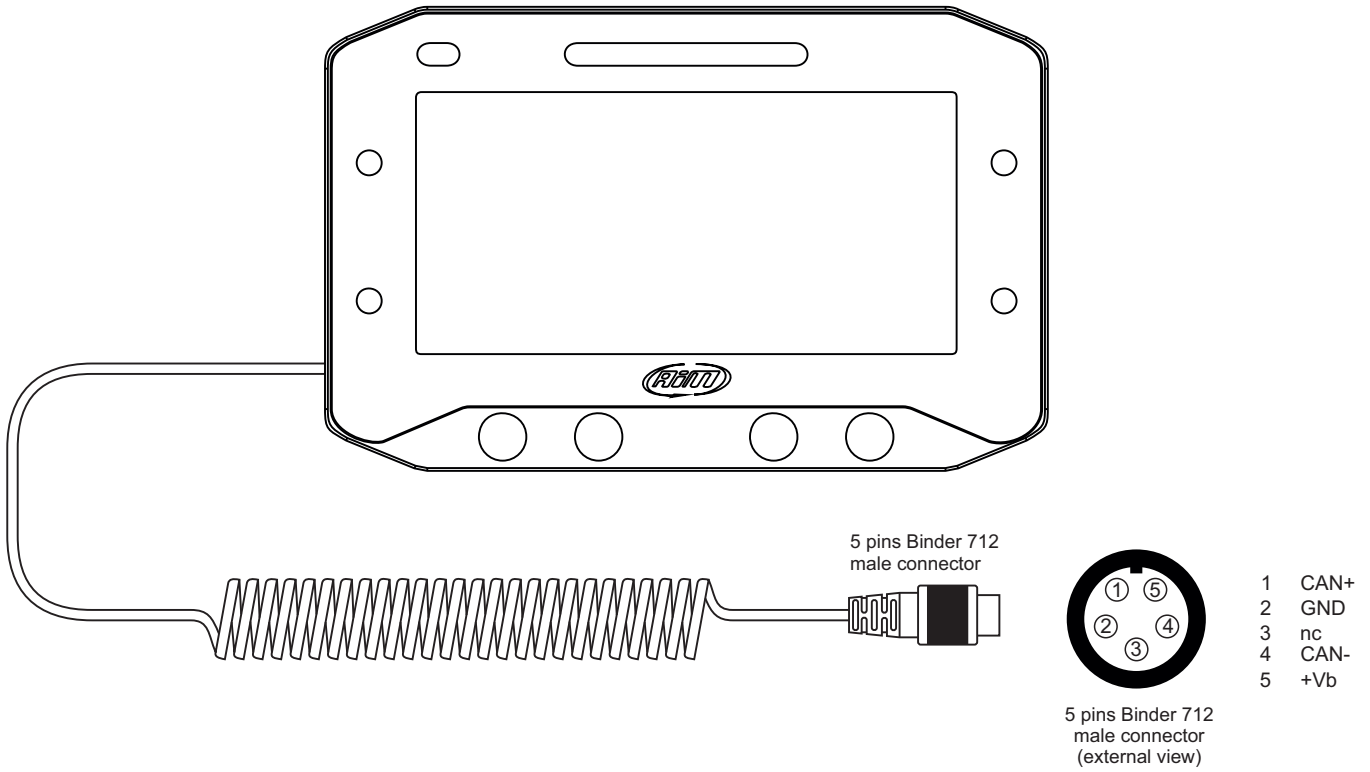
X62EVO5200GS GS-Dash with EVO5 and GPS08 Module 2 m length cable

X62EVO5400GS GS-Dash with EVO5 and GPS08 Module 4 m length cable

X62EVO540RGS GS-Dash with EVO5 and GPS08 Module Roof version 4 m length cable

AiM GS-Dash Display

Pinout





AiM Technologies, Unit 8, Riverside, Campbell Road, Stoke-on-Trent,
Staffordshire, ST4 4RJ Tel. +44 01782 393 843
sales@aimshop.com | www.aimshop.com