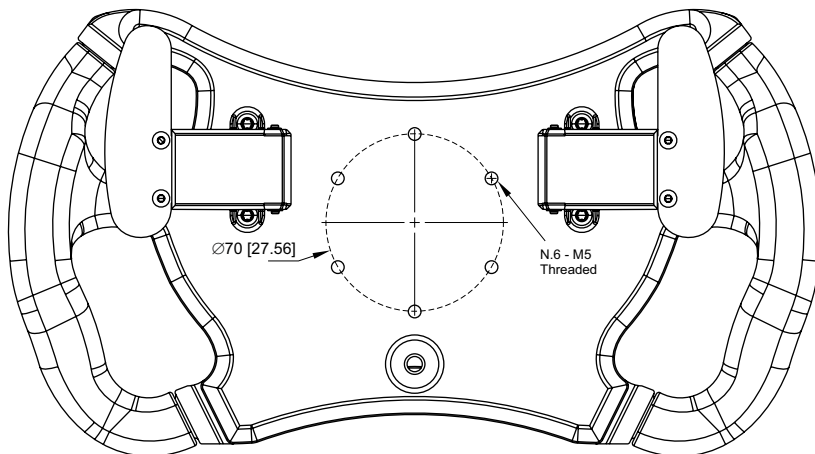
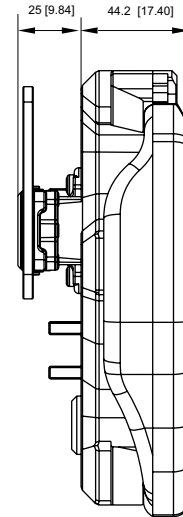
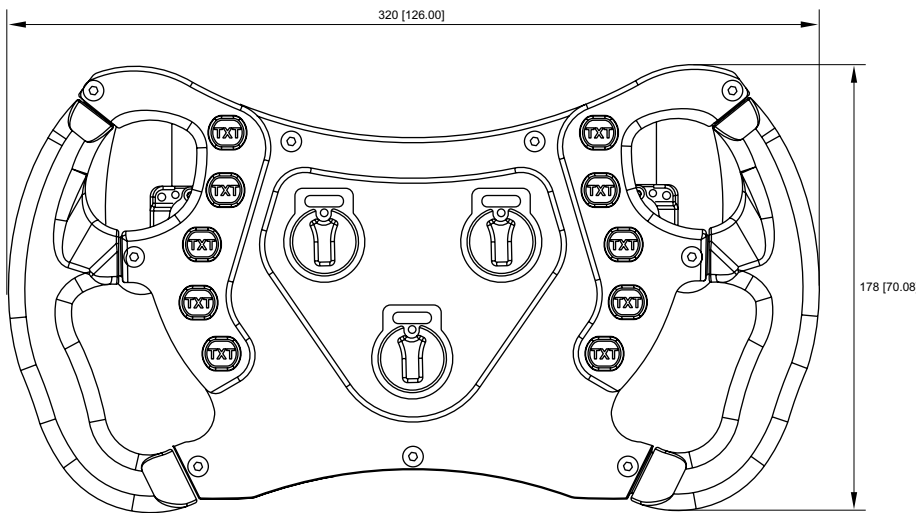




# AiM GT32

## Steering Wheel



Dimensions in mm [inches]



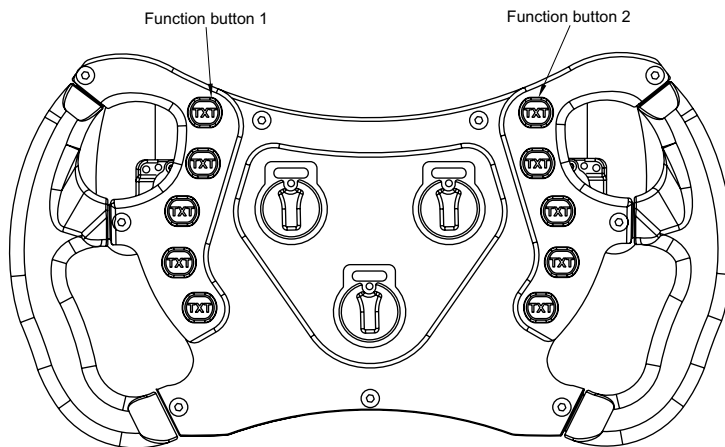
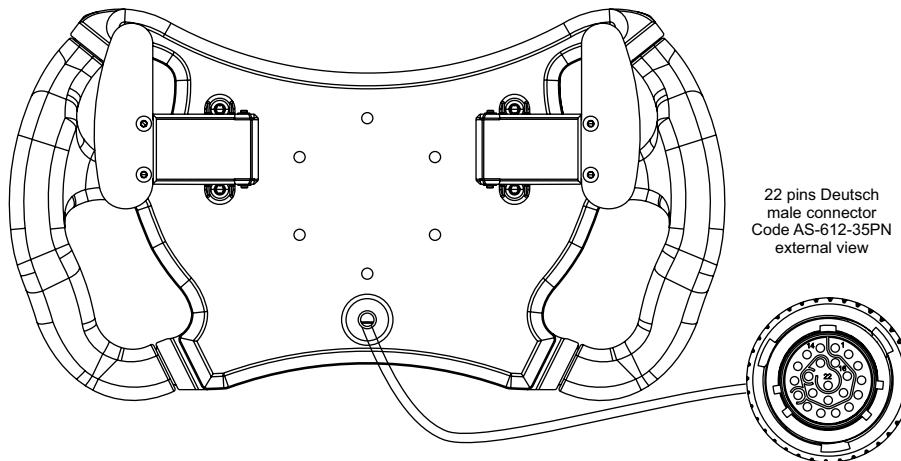
# AiM GT32

## Steering Wheel

### Technical specifications

<b>Diameter</b>	320 mm
<b>CAN connection</b>	1
<b>Body</b>	Anodized aluminum
<b>Pushbuttons</b>	10 pushbuttons (all with RGB backlights)
<b>Rotary switches</b>	3 rotary switches (all with RGB backlights)
<b>Connectors</b>	1 Deutsch Autosport 22 pins male connector
<b>Dimensions</b>	320 x 178 x 44.2 mm
<b>Weight</b>	2,600 g
<b>Power consumption</b>	500 mA
<b>Waterproof</b>	IP65

### Pinout



All other push buttons and all rotary switches on CAN BUS

Pin	Signal
1	9-15 V Power input
2	n.c.
3	n.c.
4	Left Paddle Shift
5	Right Paddle Shift
6	Paddle Shift COM
7	Function button 2
8	n.c.
9	n.c.
10	Function button 1
11	USB D+
12	USB D-
13	CAN AiM+
14	GND
15	CAN AiM -
16	RPM
17	n.c.
18	Function button 2
19	GND
20	Function button 1
21	+Vbext CAN
22	+Vbout CAN