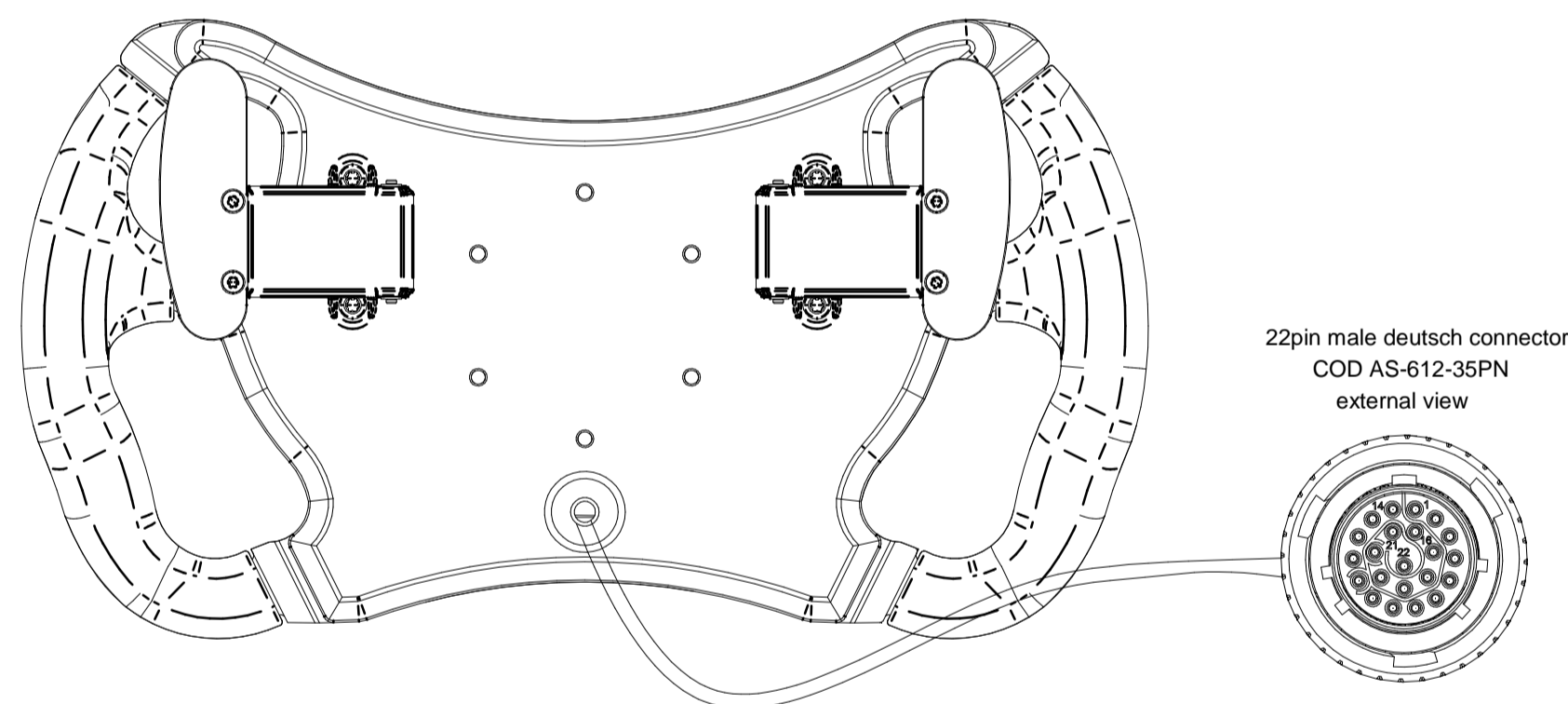
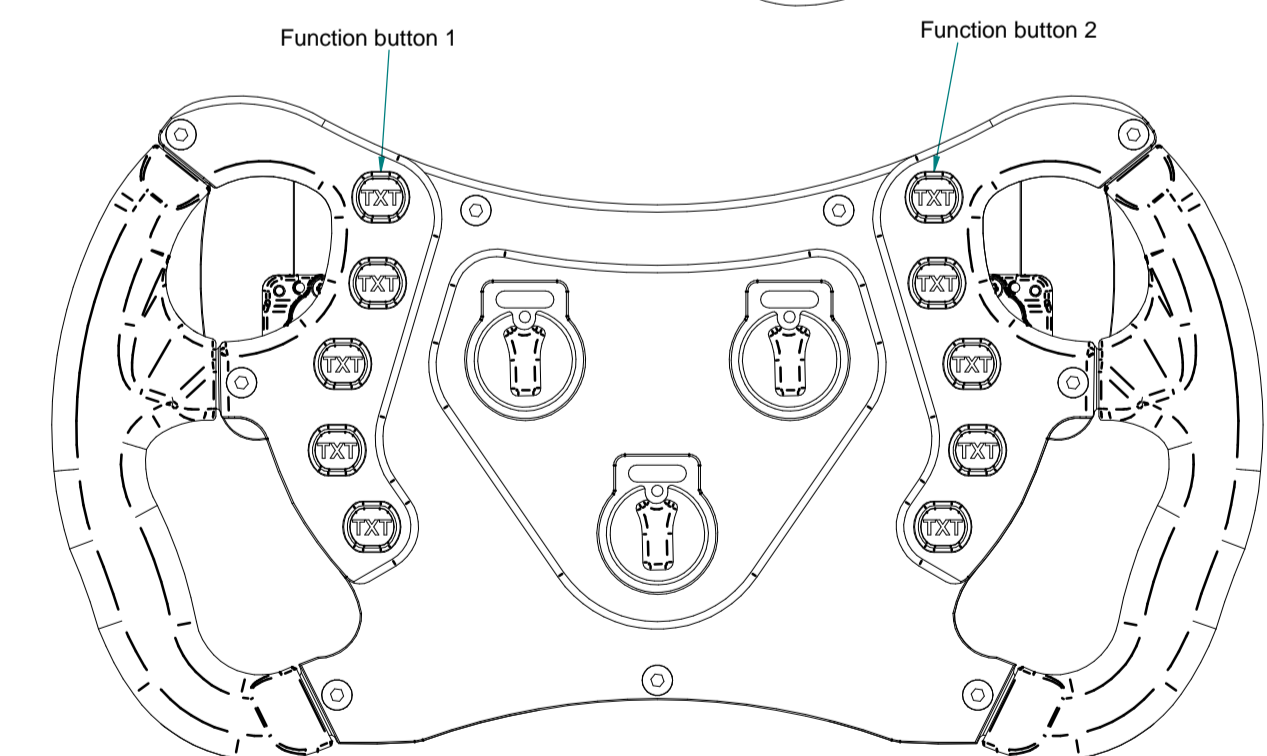


N.6 - M5 THREADED INOX STEEL STUDS

CONNECTOR PINOUT

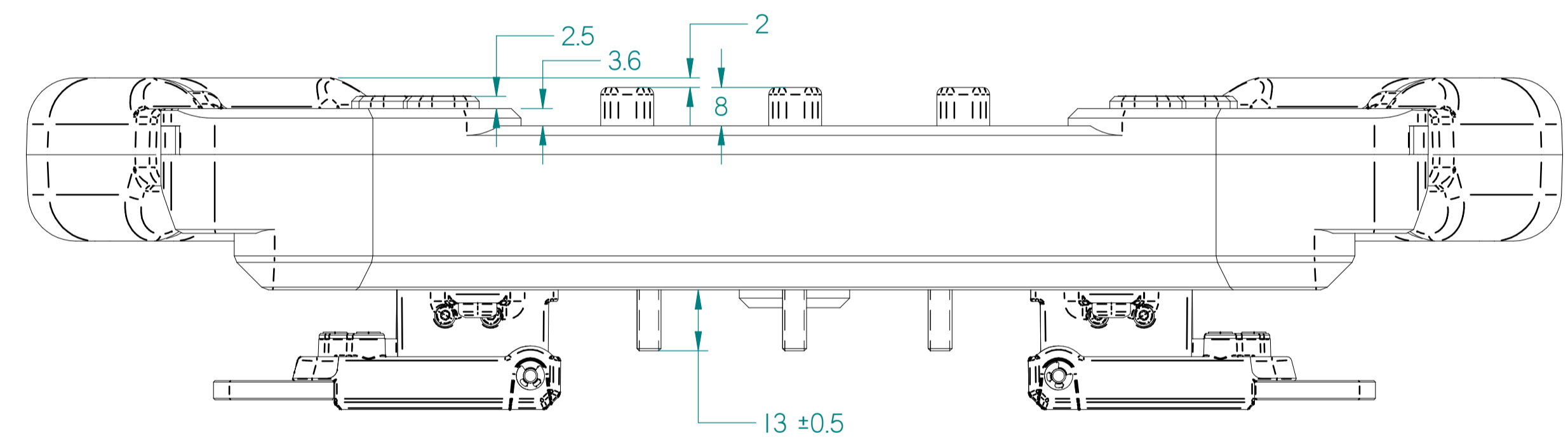
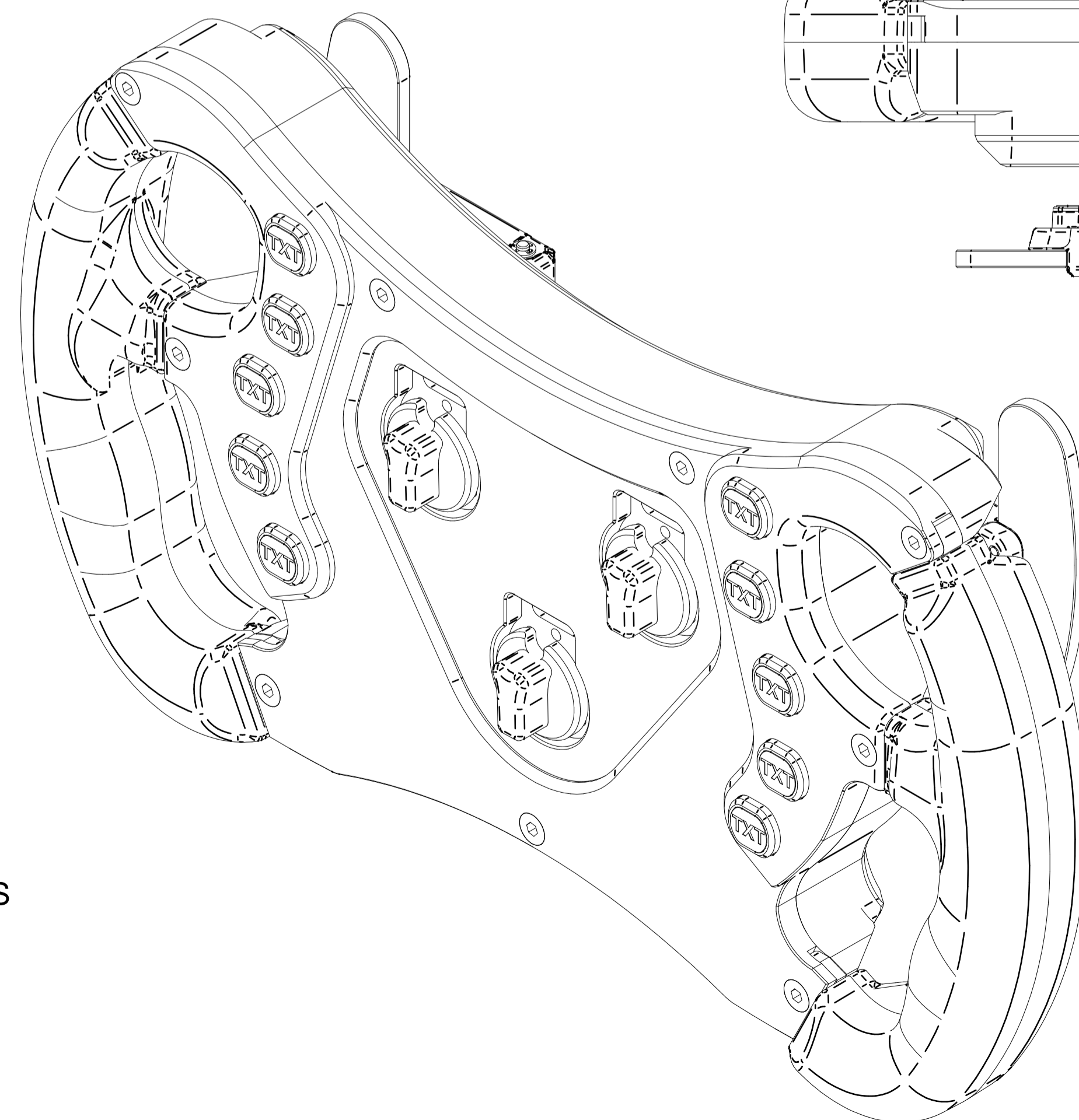


22pin male deutsch connector
COD AS-612-35PN
external view



PIN	SIGNAL
1	9-15V Power in
2	NC
3	NC
4	Paddle sh Left
5	Paddle sh Right
6	Paddle sh COM
7	Function button 2
8	NC
9	NC
10	Function button 1
11	USB D+
12	USB D-
13	CAN AIM+
14	GND
15	CAN AIM -
16	RPM
17	NC
18	Function button 2
19	GND
20	Function button 1
21	+Vbext CAN
22	+Vbout CAN

All other push buttons and all rotary switches on CAN BUS



- OVERALL DIM:** 320x178x44.2mm (320x178x69.2mm WITH PADDLE SHIFTS)
- PUSHBUTTONS:** 10 (ALL WITH RGB BACKLIGHTS) FREELY CONFIGURABLES
- ROTARY SWITCHES:** 3 (ALL WITH RGB BACKLIGHTS) FREELY CONFIGURABLES
- CAN CONNECTIONS:** 1
- CONNECTORS:** 1 AUTOSPORT 22 PINS MALE CONNECTOR
- WEIGHT:** 2.600g (approx)
- PROTECTION:** IP65
- POWER CONSUMPTION:** 500mA
- TWISTED CABLE LENGHT:** 500mm (1800mm)
- GEN. MECH. TOLL.:** +/- 0.2mm