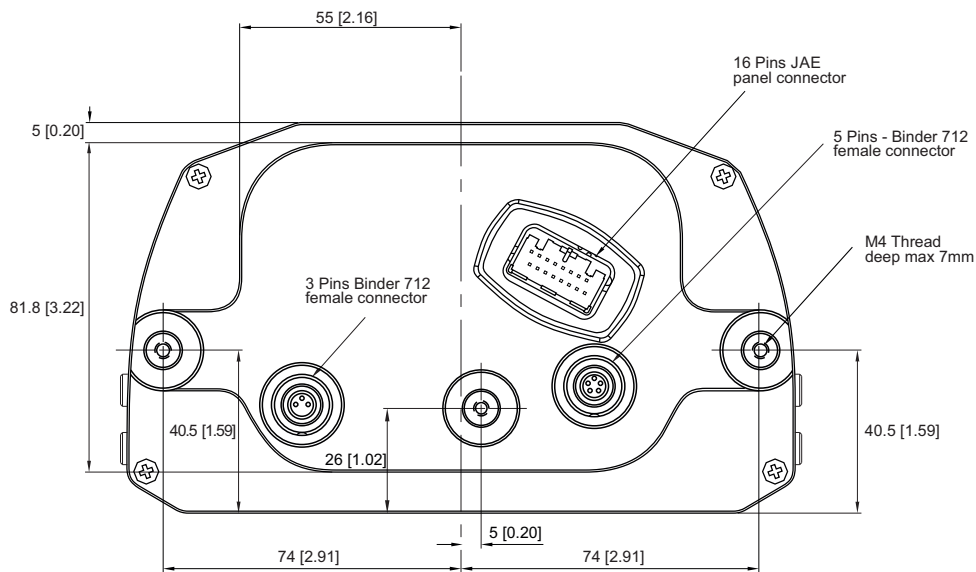
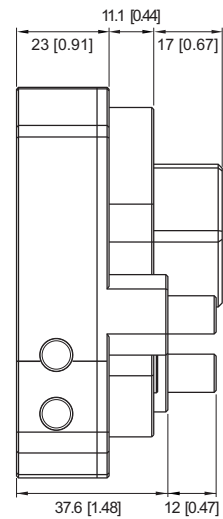
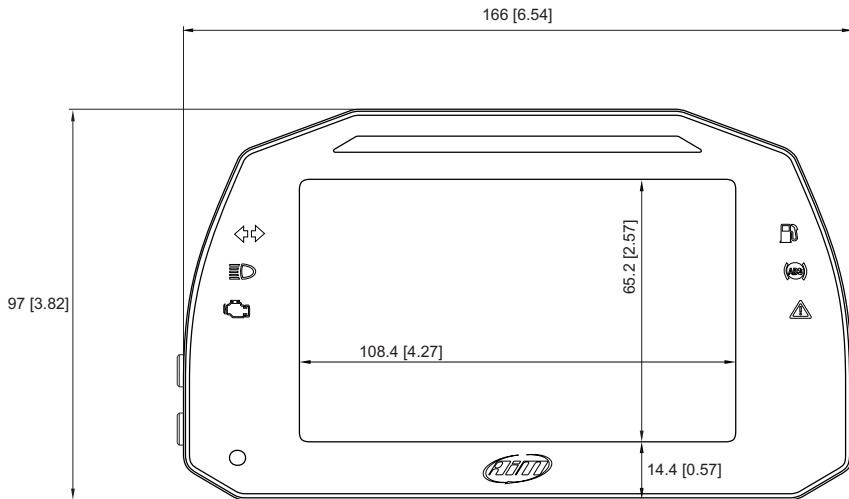




# AiM MXK10-Gen4

Plug & Play Dash Logger kit  
for Kawasaki Ninja ZX-10R\*



\* ZX-10R models 2011-2015 (4<sup>th</sup> gen)

Ver. 1.00





# AiM MXK10-Gen4

Plug & Play Dash Logger kit for Kawasaki Ninja ZX-10R\*

## Technical specifications

<b>Display</b>	5" TFT
<b>Resolution</b>	800x480 pixels
<b>Contrast</b>	600:1
<b>Brightness</b>	700cd/m2 - 1,100 Lumen
<b>Ambient light sensor</b>	Yes
<b>Status information LEDs</b>	6
<b>Shift Lights LEDs</b>	10
<b>CAN connections</b>	2
<b>ECU connection</b>	Yes
<b>External modules</b>	GPS Module, Channel Expansion, Lambda Controller, SmartyCam HD
<b>Wi-Fi connection</b>	Yes
<b>Internal memory</b>	4 GB
<b>Body</b>	Anodized Aluminum
<b>Connectors</b>	1 JAE connector + 2 Binder connectors
<b>Dimensions</b>	166 x 97 x 23 mm
<b>Weight</b>	530 g
<b>Power consumption</b>	400 mA
<b>Waterproof</b>	IP65



## Part number

**XA2MXS12A05R0KN1** MXK10-Gen4 dash logger with screws and washers, dedicated GPS Module with anodized plate fixing kit and screws

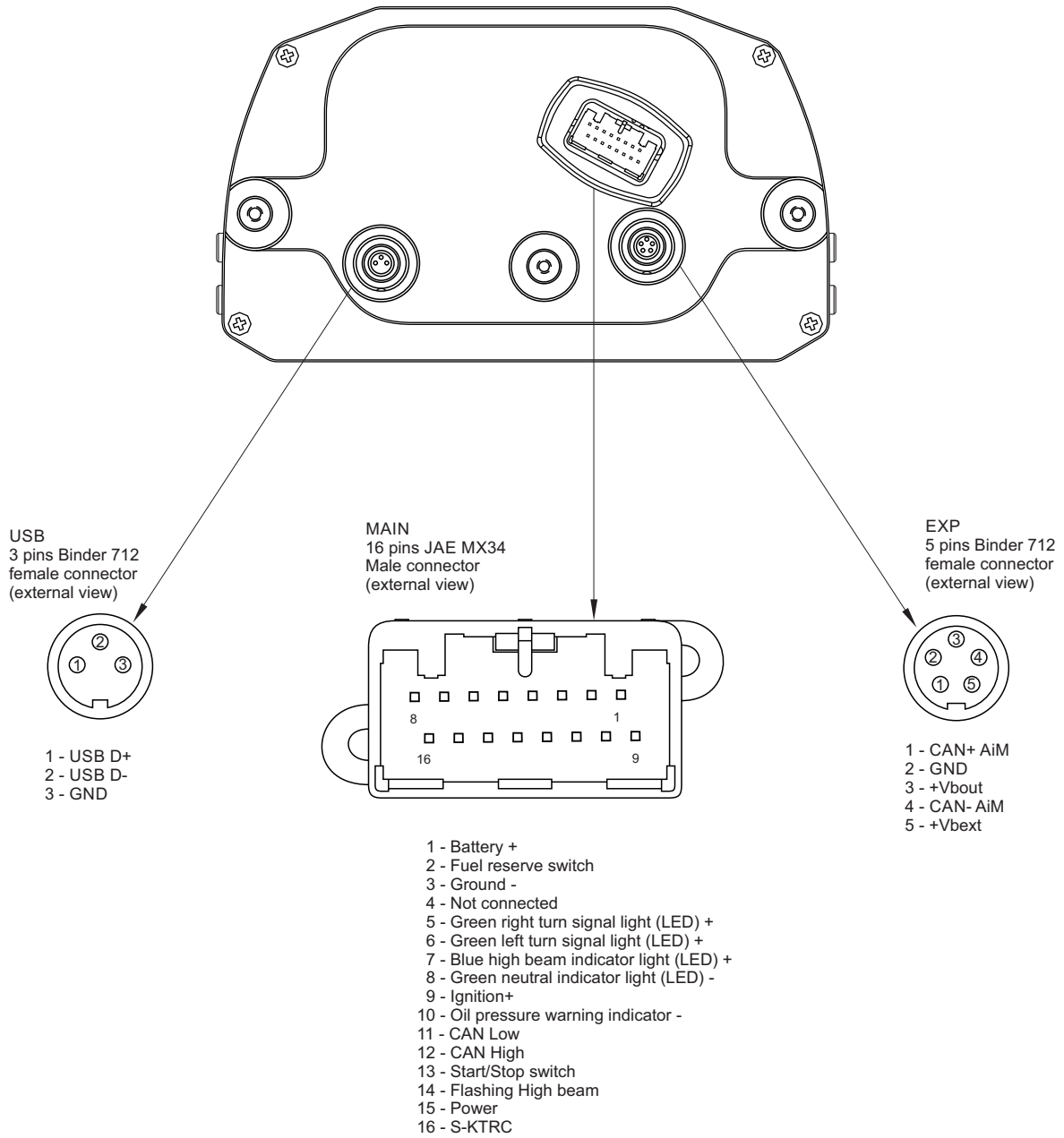
\* ZX-10R models 2011-2015 (4<sup>th</sup> gen)



# AiM MXK10-Gen4

## Plug & Play Dash Logger kit for Kawasaki Ninja ZX-10R\*

### Pinout



\* ZX-10R models 2011-2015 (4<sup>th</sup> gen)