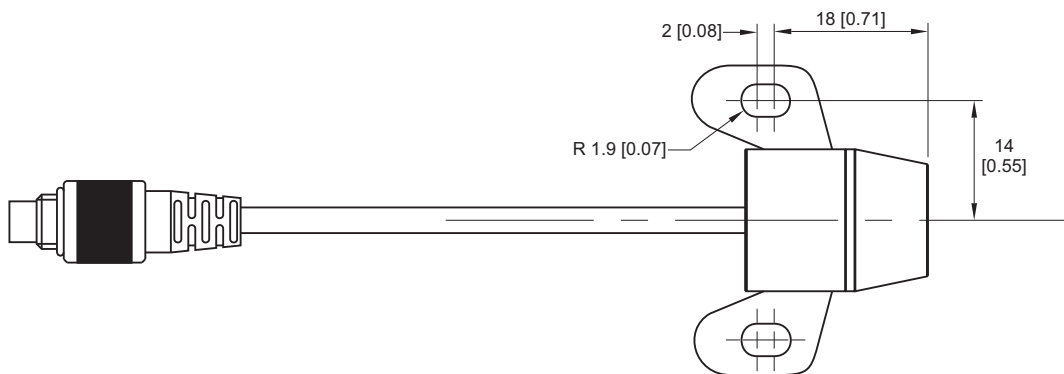
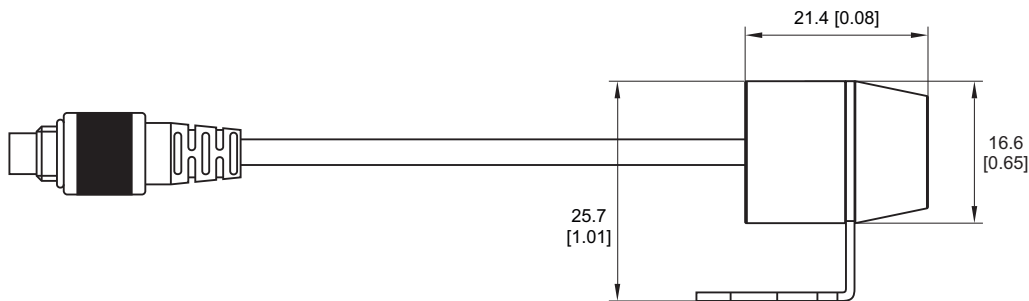




AiM rear camera

Add-on for MX Series loggers*



* 2nd generation loggers

Ver. 1.00





AiM rear camera

Add-on for MX Series loggers*

Technical specifications

Optical format	1/4 inch color CMOS
TV system	NTSC
H-FOV	170°
Pixel array	648 (H) x 488 (V)
Frame rate	60 fps
Temperature	-30/80 °C

Part numbers

XB1ZCAMHD00	AiM rear camera
V02551170	Single AiM rear camera patch cable
V02573410	Double AiM rear camera patch cable
V02573390	Single non AiM rear camera patch cable
V02573400	Double non AiM rear camera patch cable

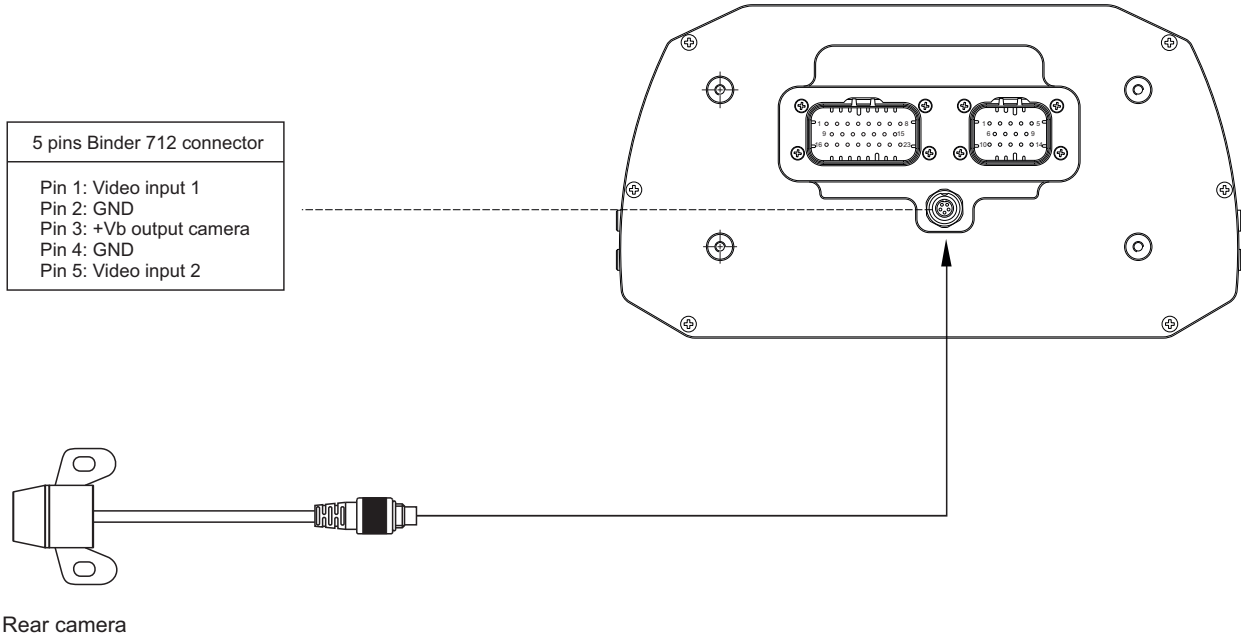
* 2nd generation loggers



AiM rear camera

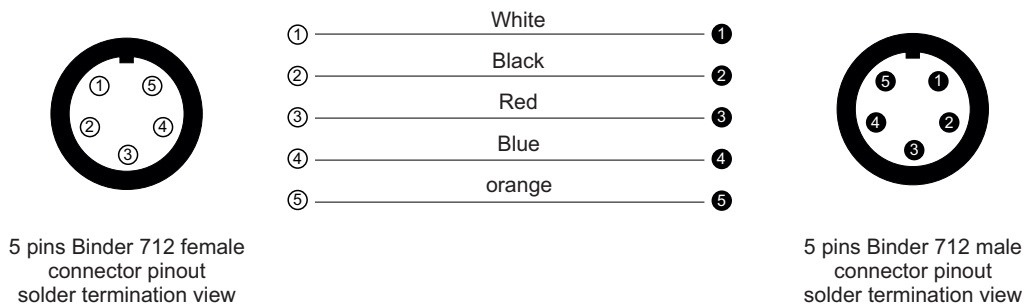
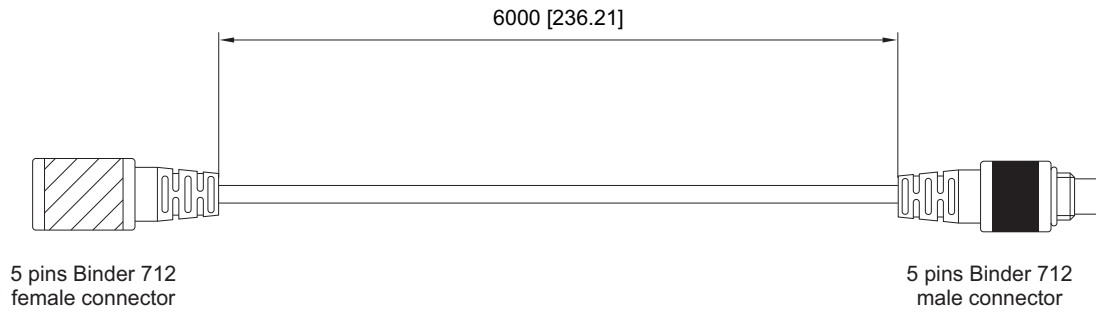
Add-on for MX Series loggers*

Pinout



Cables

Single AiM rear camera patch cable



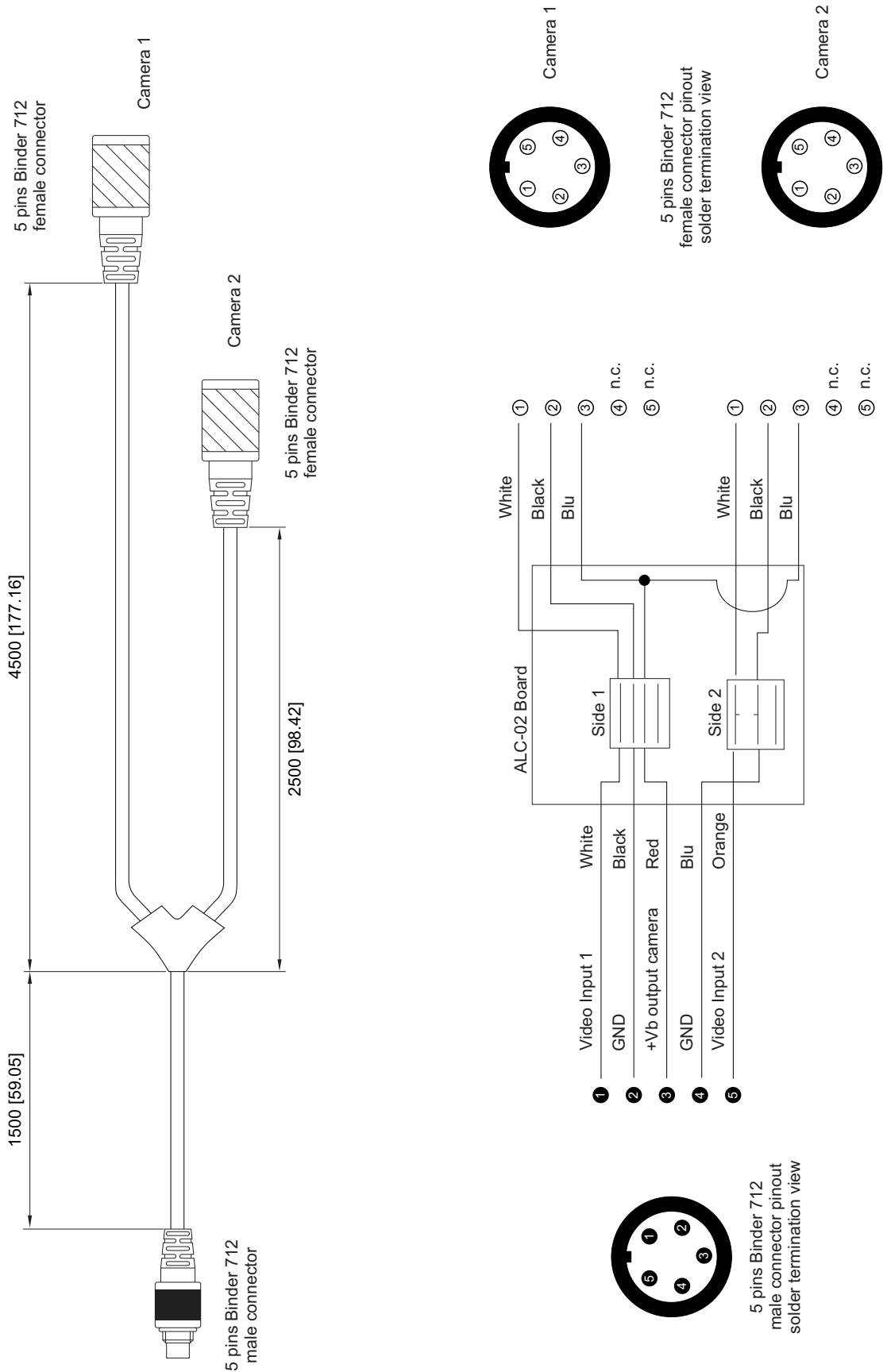
* 2nd generation loggers



AiM rear camera

Add-on for MX Series loggers*

Double AiM rear camera patch cable



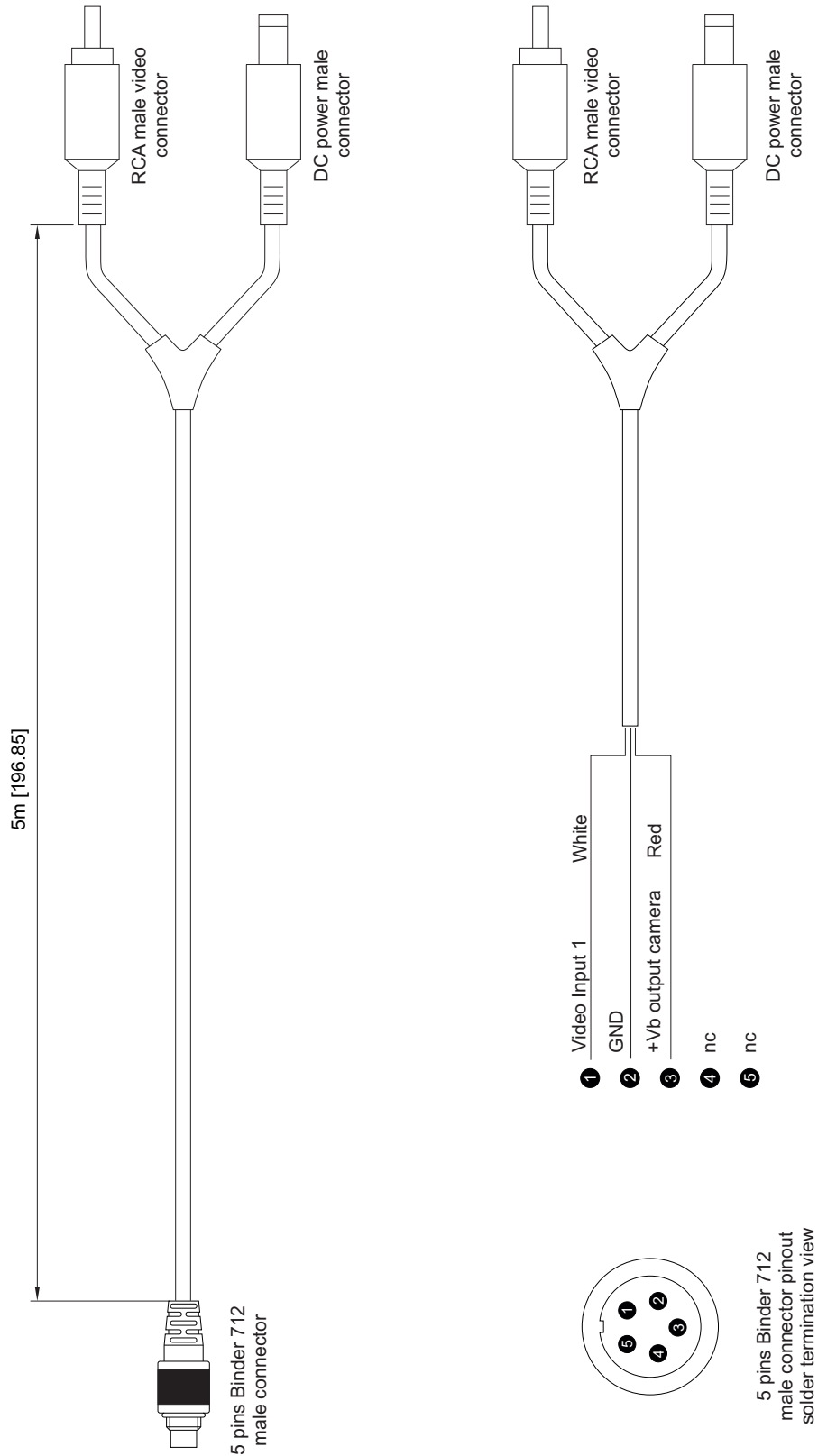
* 2nd generation loggers



AiM rear camera

Add-on for MX Series loggers*

Single non AiM rear camera patch cable



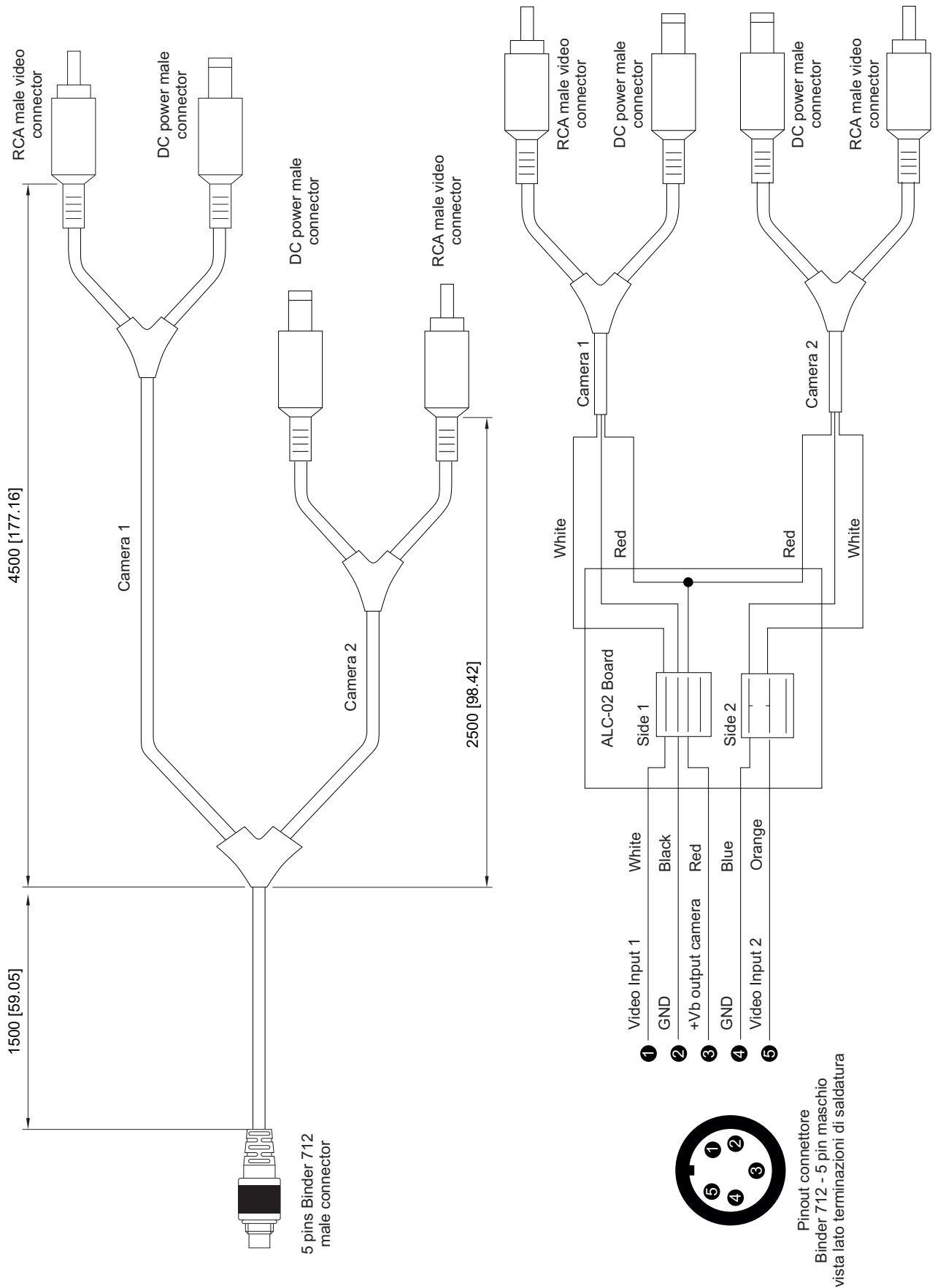
* 2nd generation loggers



AiM rear camera

Add-on for MX Series loggers*

Double non AiM rear camera patch cable



* 2nd generation loggers