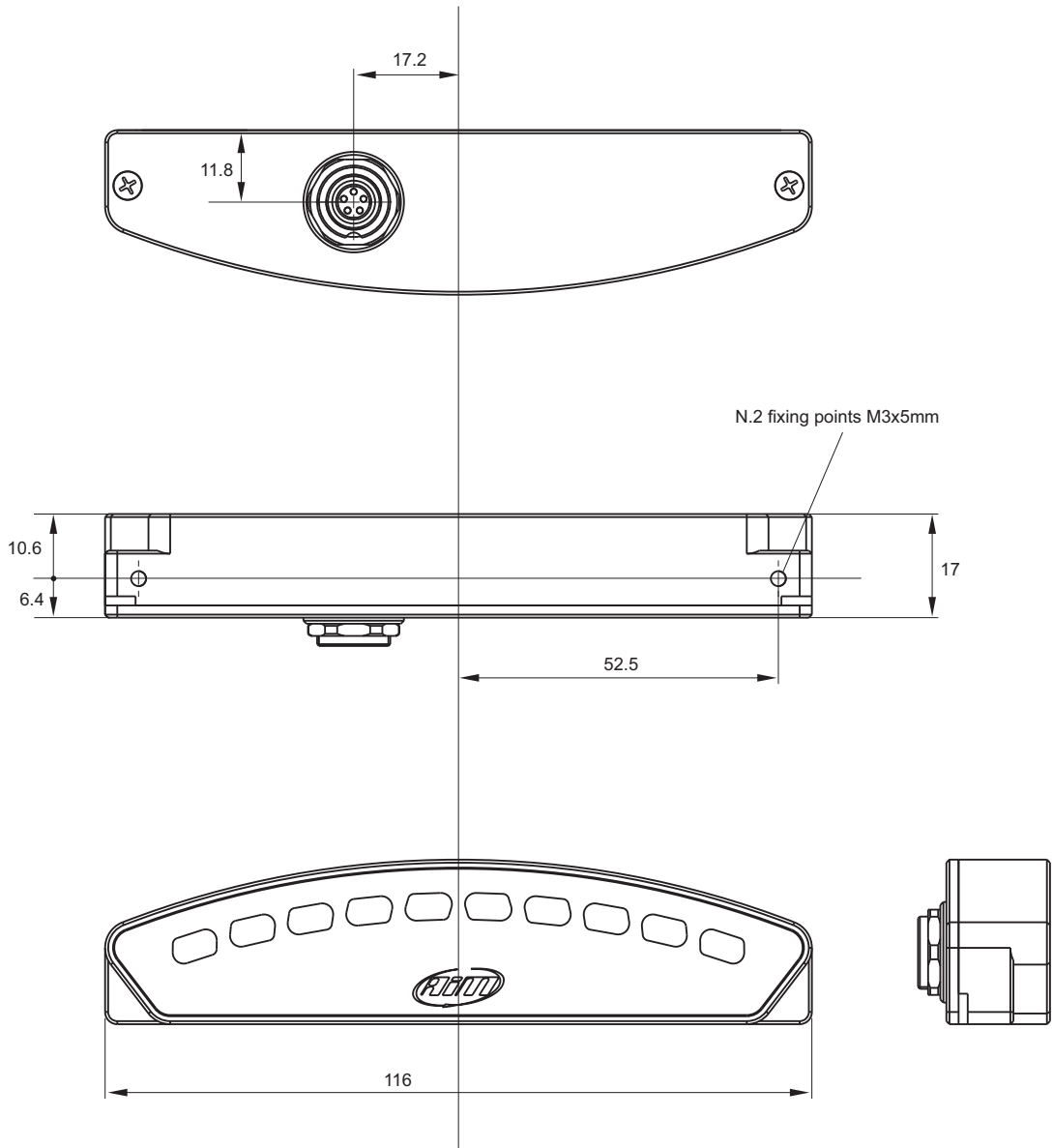




AiM Shift Light Module

Expansion



Ver. 1.01





AiM Shift Light Module

Expansion

Technical specifications

Dimensions 116 x 27 x 17 mm

Weight 70 g

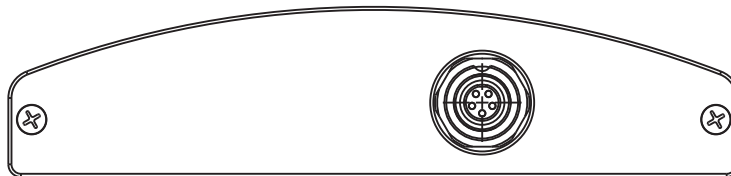
Waterproof IP65

Compatibility Via CAN with EVO4S, EVO5, MXL2, MXG, MXG 1.2, MXG 1.2 Strada, MXP, MXP Strada, MXS, MXS 1.2, MXS 1.2 Strada.

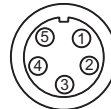
Part number

X08EGF010 Shift Light Module

Pinout



5 pins Binder 712
female connector
(external view)



- 1 - CAN+ exp
- 2 - GND
- 3 - +Vb out CAN
- 4 - CAN- exp
- 5 - +Vbext CAN