



AiM User Guide

Kit for EVO4/EVO4S and
Solo/SoloDL
on Ducati 848, 1098, 1198

Release 1.06



KIT

1

Models and years

This user guide explains how to install AiM Solo and SoloDL on Ducati bikes and how to connect EVO4, EVO4S and SoloDL to the bike Engine Control Unit (ECU). Supported models and years are:

- 848 2007-2011
- 848 EVO 2007-2011
- 848 EVO Corse 2007-2011
- 1098 2007-2009
- 1098 S 2007-2009
- 1098 S Tricolore 2007-2009
- 1098 R 2007-2009
- 1198 2009-2011
- 1198 S 2009-2011
- 1198 S Corse 2009-2011
- 1198 R Corse 2009-2011
- 1198 SP 2009-2011

Please note: kits described in this user guide are only compatible with those Ducati bikes that are equipped with DDA (Ducati Data Analyzer) connector.

Warning: for these models/years AiM recommends not to remove the stock dash. Doing so will disable some of the bike functions or safety controls. AiM Tech srl will not be held responsible for any consequences that may result from the replacement of the original instrumentation cluster.

2

Solo/SoloDL kit and EVO4/EVO4S connection cable

AiM has developed an installation kit with bracket and ECU interface cable for Solo/SoloDL and a connection cable for EVO4 and EVO4S.

2.1 Kit and bracket for Solo/SoloDL

Solo/SoloDL installation kit is shown here below; part number is: **V02569170CS**.



The kit includes:

- 1 bracket (1)
- 2 4x10 Allen screws with countersunk head (2)
- 2 M4 self locking nut (3)
- 1 AiM interface cable for Ducati 848/1098/1198 (4)

AiM cable (4) and bracket (1) can also be bought separately as spare parts.

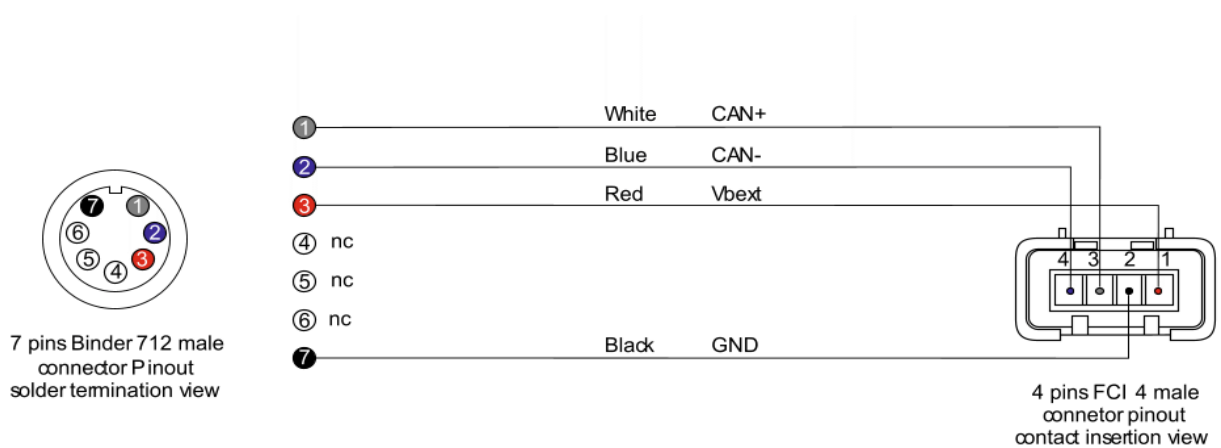
- SoloDL cable for Ducati 848/1098/1198: **V02569170**
- Solo/SoloDL bracket for Ducati 848/1098/1198: **DNKTKPFDUC**

2.2 AiM cable for SoloDL and EVO4S

AiM cable for SoloDL on Ducati bikes is shown below; its part number is: **V02569170**.



The image here below shows the cable constructive scheme

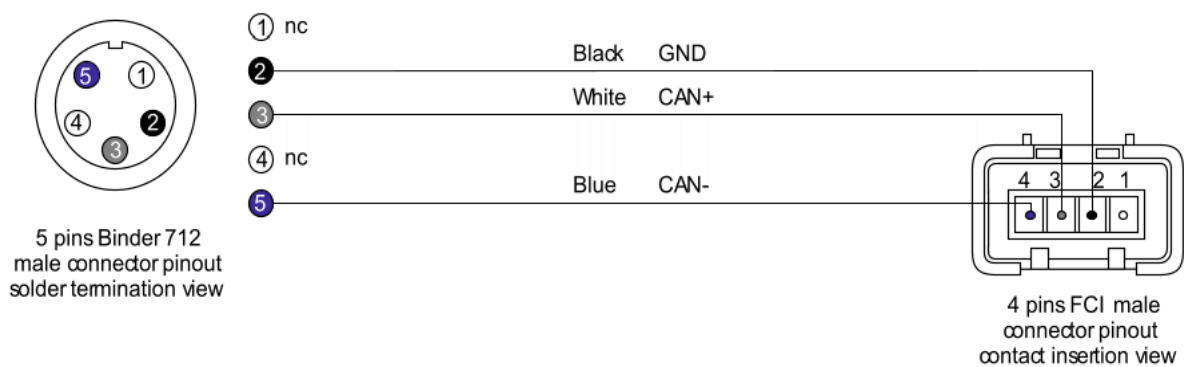


2.3 AiM cable for EVO4

AiM cable for EVO4 on Ducati bikes is shown below; its part number is: **V02563150**.



The image here below shows the cable constructive scheme



3

Installation and connection

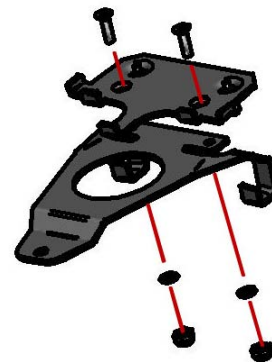
Here you find the instructions to install Solo and SoloDL on your Ducati bike and to connect EVO4, EVO4S and SoloDL to the bike ECU. EVO4 cable is long enough to allow installation of the logger under the bike seat.

3.1

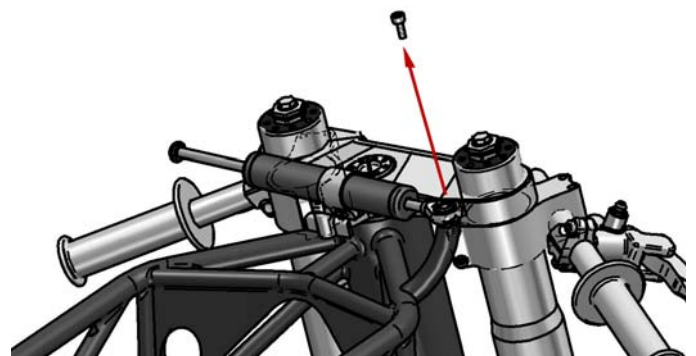
Installation of Solo and SoloDL

To install Solo/SoloDL on your Ducati bike:

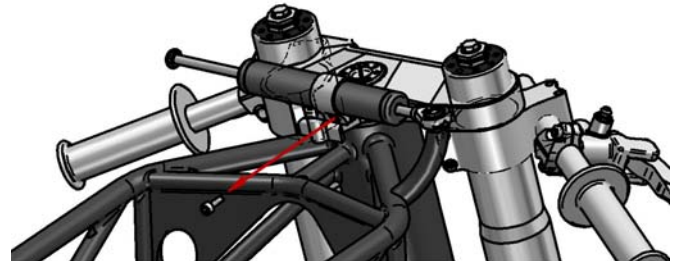
Fix AiM bracket for Ducati to Solo bracket using the two Allen screws you find in the kit.



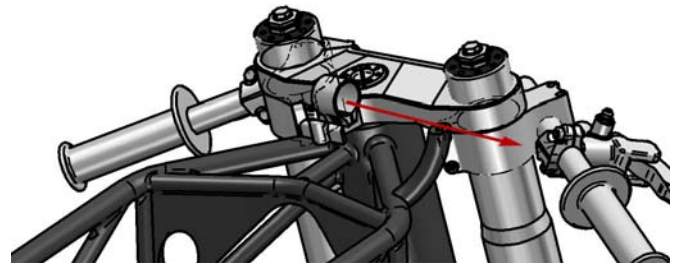
Remove the steering wheel dumper starting with the Uniball screw highlighted here on the right.



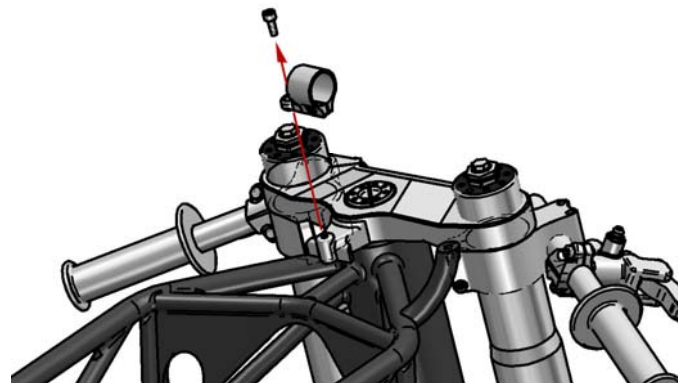
Remove the screw of the steering wheel dumper collar enlarging the collar.



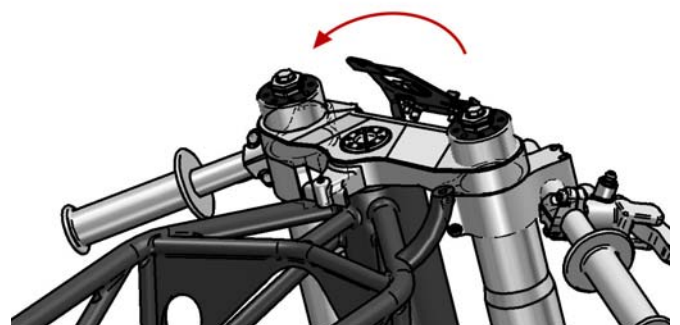
Slide off the stem of the steering wheel dumper.



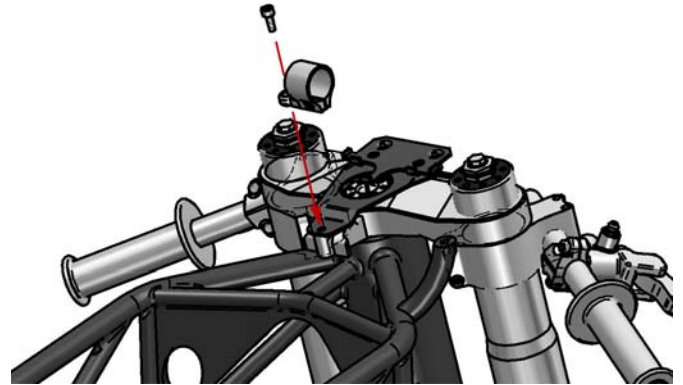
Remove the screw that locks the collar to the steering plate and remove the collar from the bike.



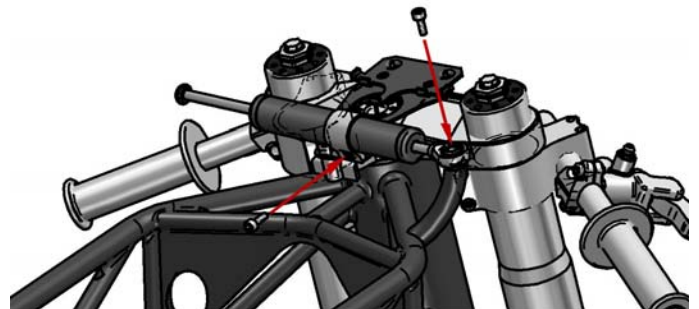
Hook AiM bracket for Ducati rotating it as in the image.



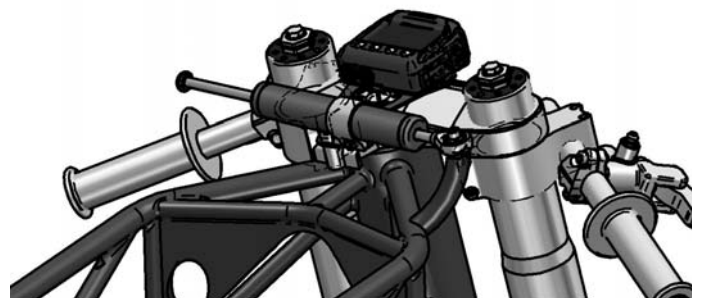
Replace the steering wheel dumper collar using the proper screw and locking AiM bracket for Ducati between collar and fork plate.



Replace the stem in the collar re-screwing its screws and replace Uniball screw fixing it to the frame pivot.



Hook Solo to its housing.



3.2

Connection of SoloDL, EVO4 and EVO4S to the ECU

To connect EVO4, EVO4S and SoloDL to the ECU of the bike use the connector you find under the passenger seat.

Open the bike tail and remove the connector cup highlighted in the image here on the right.



Once the cup has been removed the connector appears as here on the right.



Connect AiM wiring to Ducati wiring as here on the right.



Take the cable to the logger as here on the right.



To reach SoloDL make the cable pass between the fuel tank and the bike frame.

Please avoid positions where the cable would be exposed to direct heat.



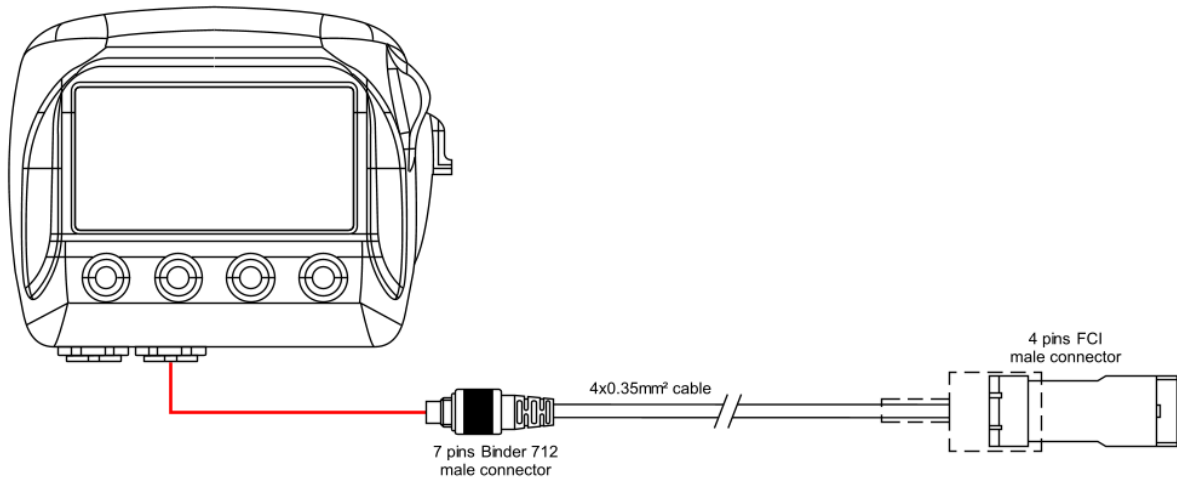
The image here on the right shows the cable reaching SoloDL.



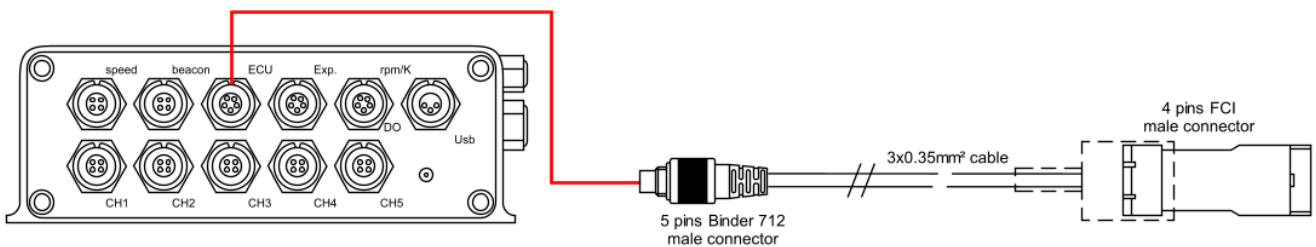
Connect the cable to SoloDL as here on the right.



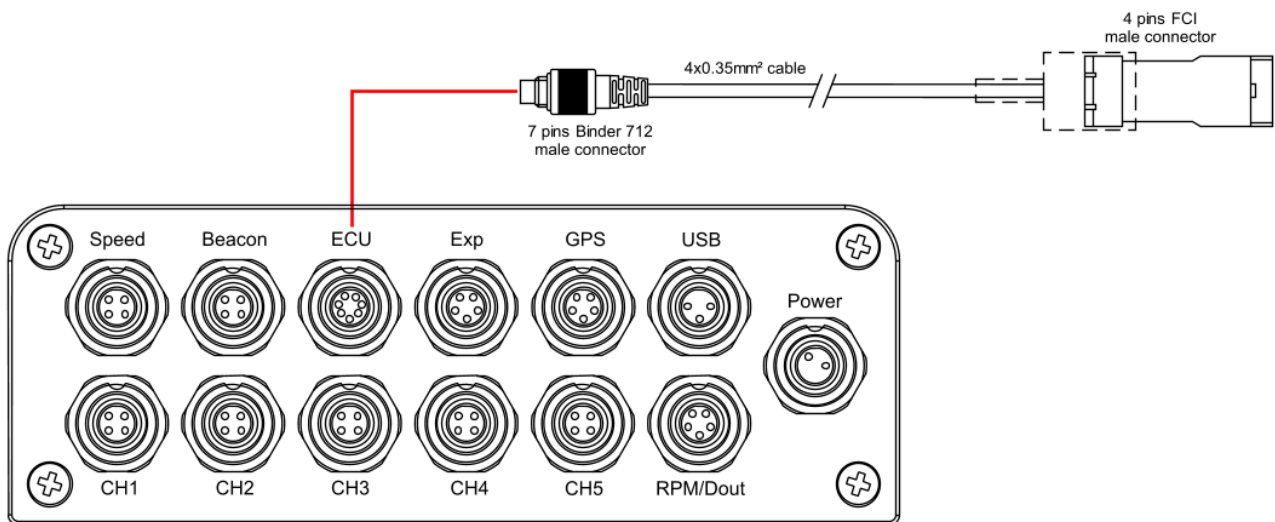
To connect AiM SoloDL to **V02569170** cable use the seven pins Binder 712 female connector placed right under the logger as shown here below.



To connect AiM EVO4 to **V02563150** cable use the five pins Binder 712 female connector labelled "ECU" of the logger – third from the left on the top row – as shown here below.



To connect AiM EVO4S to **V02569170** cable use the seven pins Binder 712 female connector labelled ECU on the logger front as shown here below.



4 Configuring with Race Studio 2

Before connecting the bike ECU to EVO4, EVO4S and SoloDL set these last up using AiM Race Studio software. The parameters to select in the logger configuration are:

- ECU Manufacturer: "Ducati"
- ECU Model: "1098/S"

5

"Ducati" "1098/S" protocol

Channels received by EVO4, EVO4S e SoloDL connected to Ducati "1098/S" protocol are:

ID	CHANNEL NAME	FUNCTION
ECU_1	DUCATI_RPM	RPM
ECU_2	DUCATI_SPEED	Vehicle speed
ECU_3	DUCATI_TPS	Throttle position
ECU_4	DUCATI_ECT	Engine coolant temperature
ECU_5	DUCATI_AIRTEMP	Intake air temperature

Technical note: not all data channels outlined in the ECU template are validated for each manufacturer model or variant; some of the outlined channels are model and year specific, and therefore may not be applicable.