



AiM Infotech

Kart magnetic lap receiver

Release 1.01



1

Introduction

AiM devices can sample lap and split times on tracks featuring magnetic strips using a proper receiver.

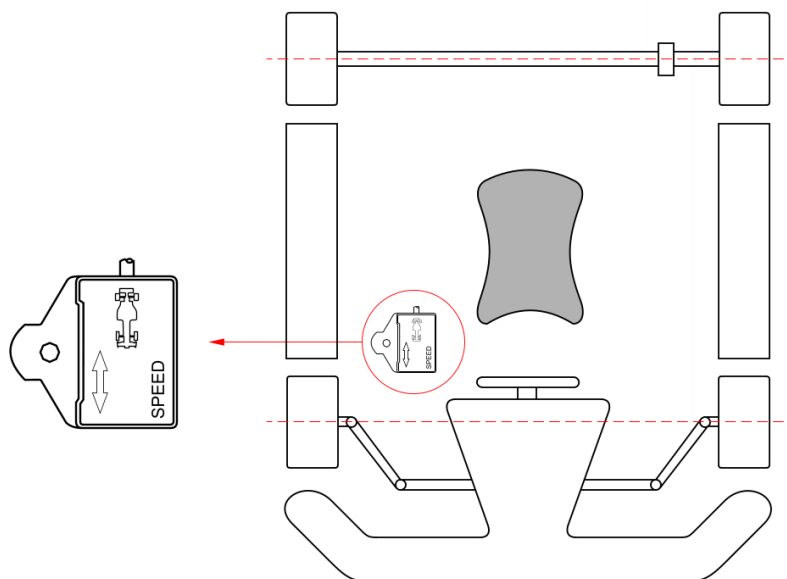
The receiver **part number** is: **X02RXMGC3SMP**

2

Installation

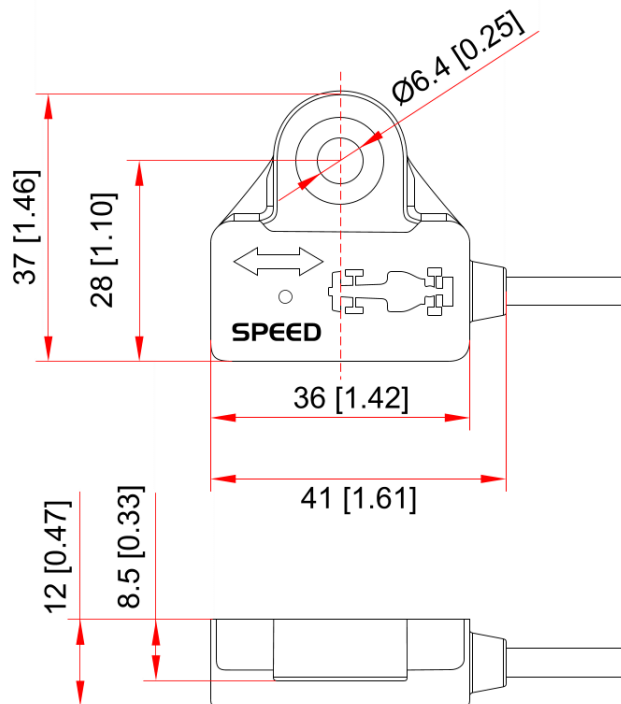
- Install the receiver on the kart platform using a piece of Velcro or a-magnetic screws;
- install the receiver parallel to the vehicle speed;
- choose a position where the receiver is not in contact with water, oil or fuel;
- ensure that the sensor is not affected by heat shock.

The image below shows the receiver correctly installed.

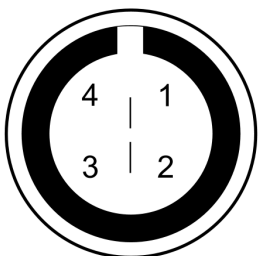


3 Dimensions, pinout and technical characteristics

The drawing here below shows the receiver dimensions millimetres [inches].



The receiver is cabled with a 4 pins Binder 712 male connector. Here below it is shown on the left – solder termination view – while on the right is connection table.



Binder connector pin

- 1
- 2
- 3
- 4

Function

- Magnetic lap signal
- GND
- n.c.
- n.c.

4

Extension cables

The sensor comes with a 900 mm cable and optional standard length extension cables are available: from 0,5m to 3m but specific length extension cables are also available on request. Extension cable part number changes according to their length.

Extension cable for connection with:

- MyChron5 – MyChron5 2T

Part number:

V02552620 – cable length: 500mm

V02552630 – cable length: 1000mm

V02552640 – cable length: 1500mm

V02552650 – cable length: 2000mm

V02552660 – cable length: 3000mm

