



**AiM Infotech**

# AiM rear camera Add-on for MX Series loggers\*

**Release 1.00**

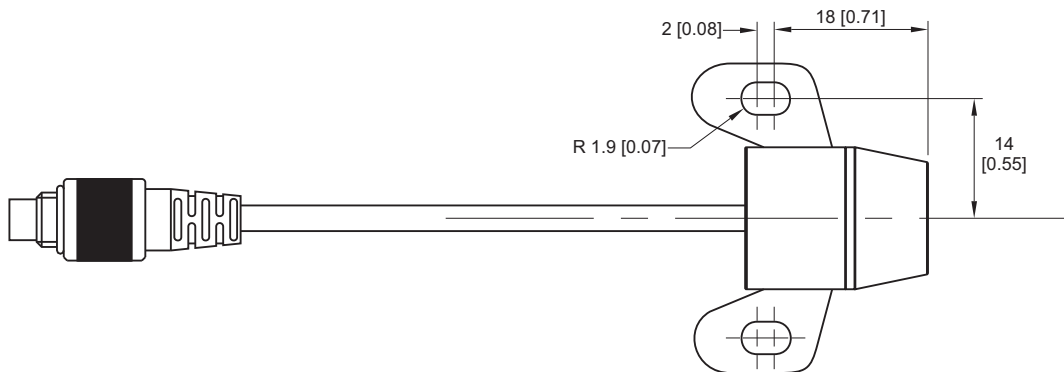
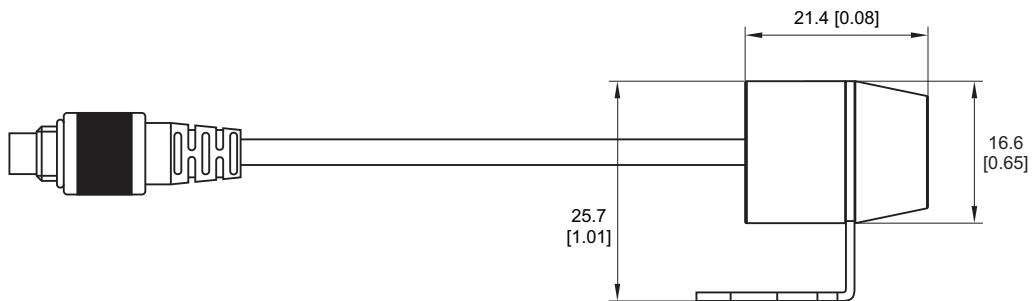
---





# AiM rear camera

Add-on for MX Series loggers\*



\* 2<sup>nd</sup> generation loggers



# AiM rear camera

Add-on for MX Series loggers\*

## Technical specifications

<b>Optical format</b>	1/4 inch color CMOS
<b>TV system</b>	NTSC
<b>H-FOV</b>	170°
<b>Pixel array</b>	648 (H) x 488 (V)
<b>Frame rate</b>	60 fps
<b>Temperature</b>	-30/80 °C

## Part numbers

<b>XB1ZCAMHD00</b>	AiM rear camera
<b>V02551170</b>	Single AiM rear camera patch cable
<b>V02573410</b>	Double AiM rear camera patch cable
<b>V02573390</b>	Single non AiM rear camera patch cable
<b>V02573400</b>	Double non AiM rear camera patch cable

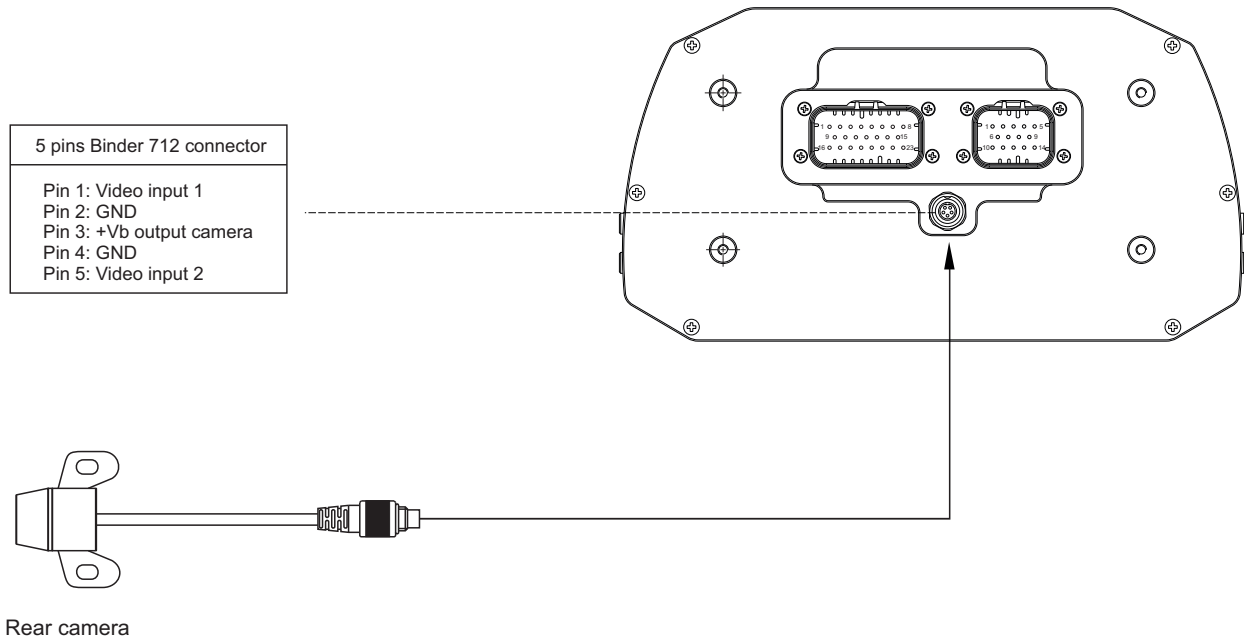
\* 2<sup>nd</sup> generation loggers



# AiM rear camera

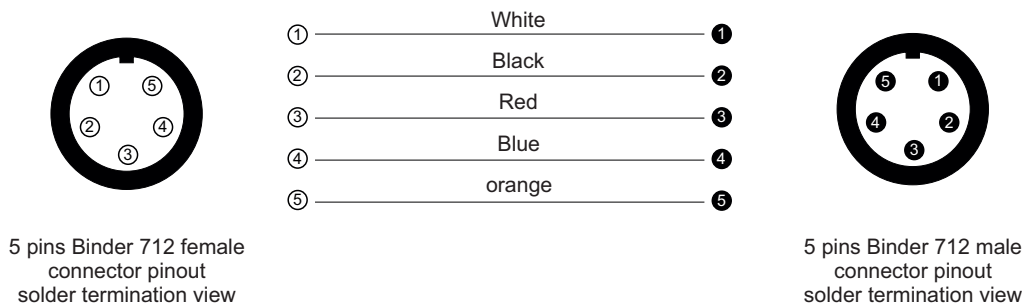
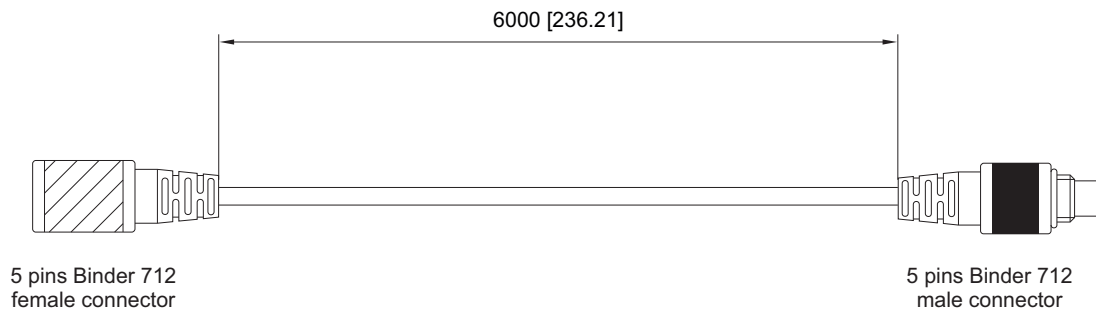
Add-on for MX Series loggers\*

## Pinout



## Cables

### Single AiM rear camera patch cable



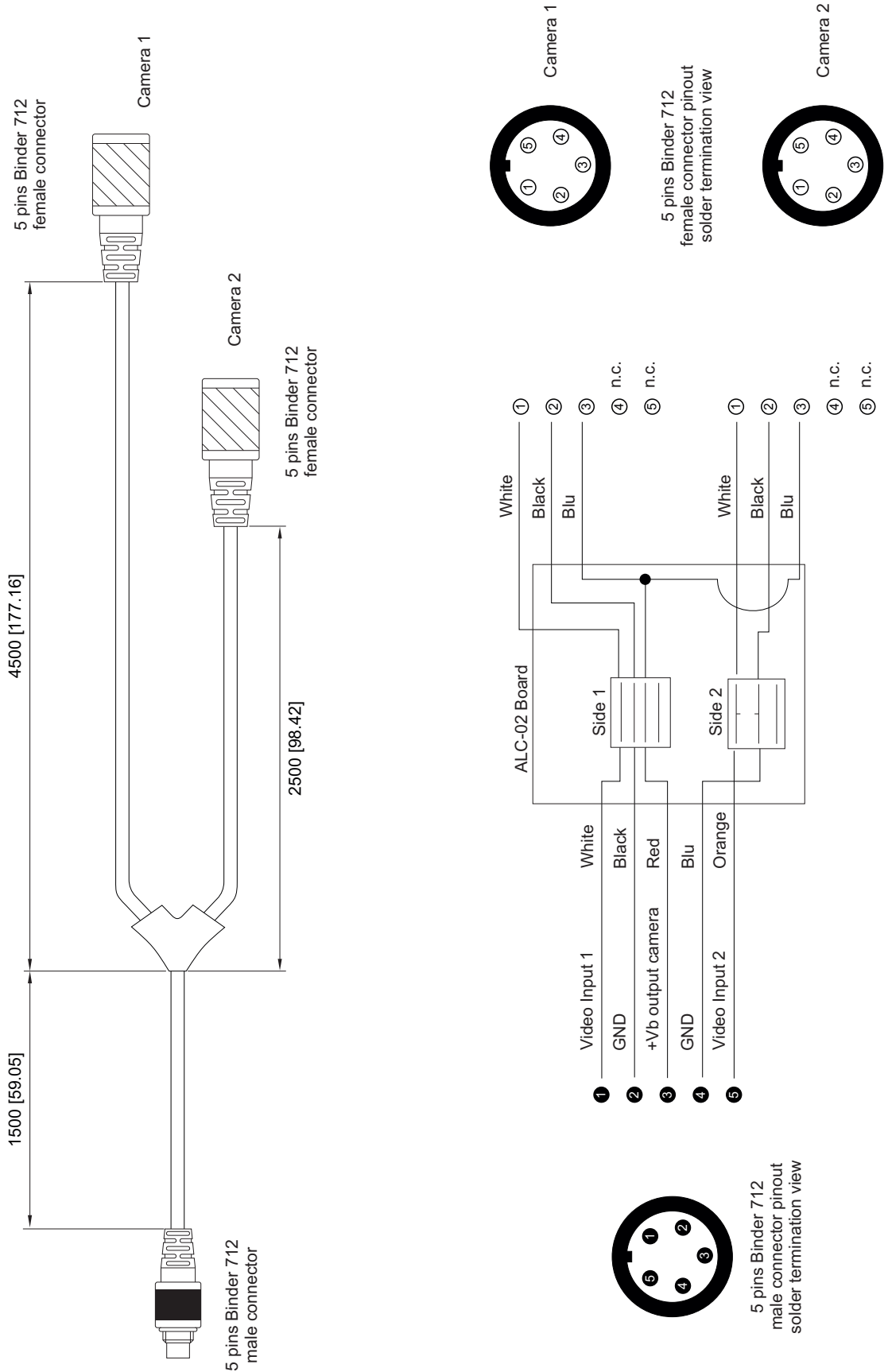
\* 2<sup>nd</sup> generation loggers



# AiM rear camera

Add-on for MX Series loggers\*

## Double AiM rear camera patch cable



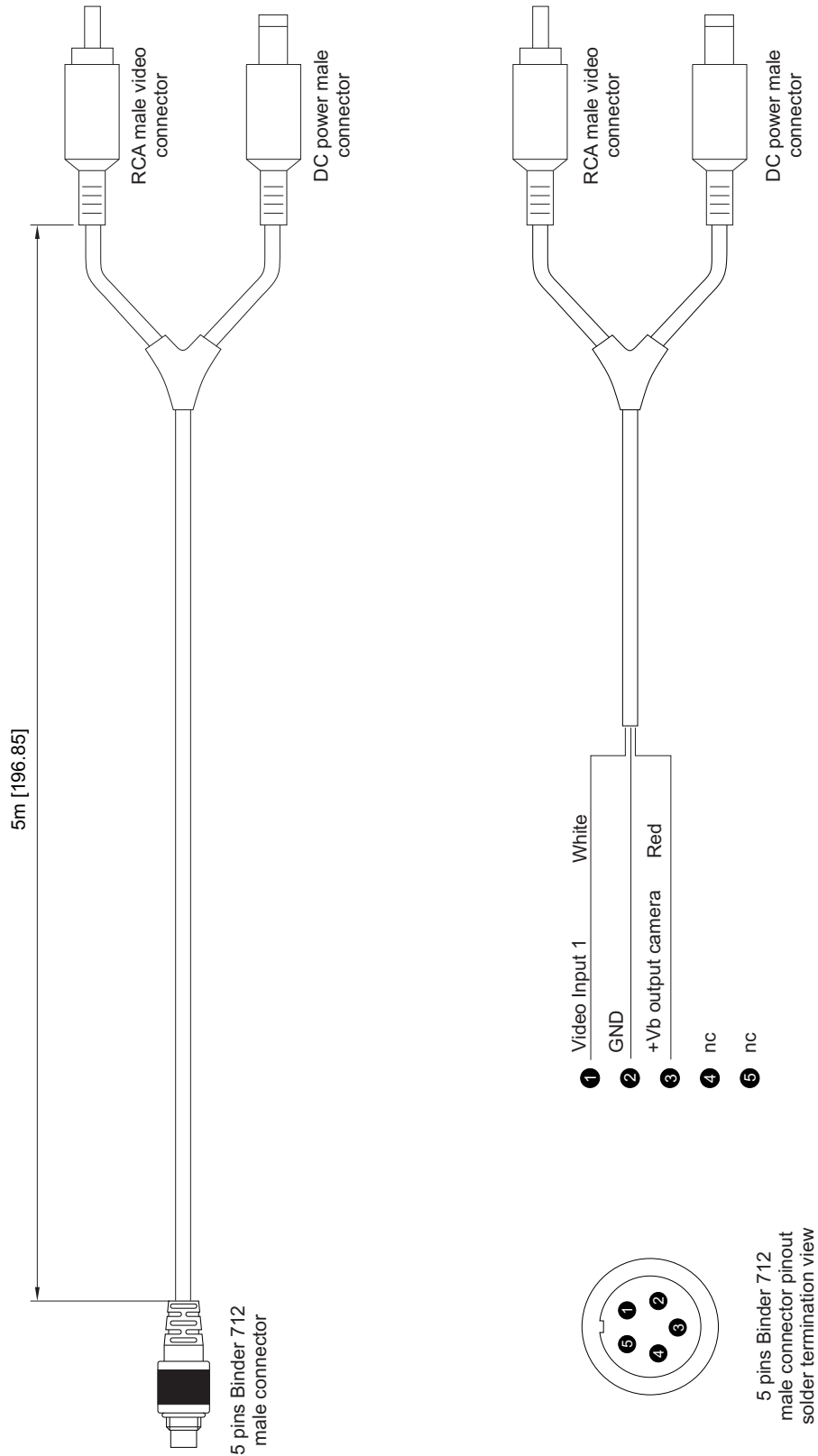
\* 2<sup>nd</sup> generation loggers



# AiM rear camera

Add-on for MX Series loggers\*

## Single non AiM rear camera patch cable



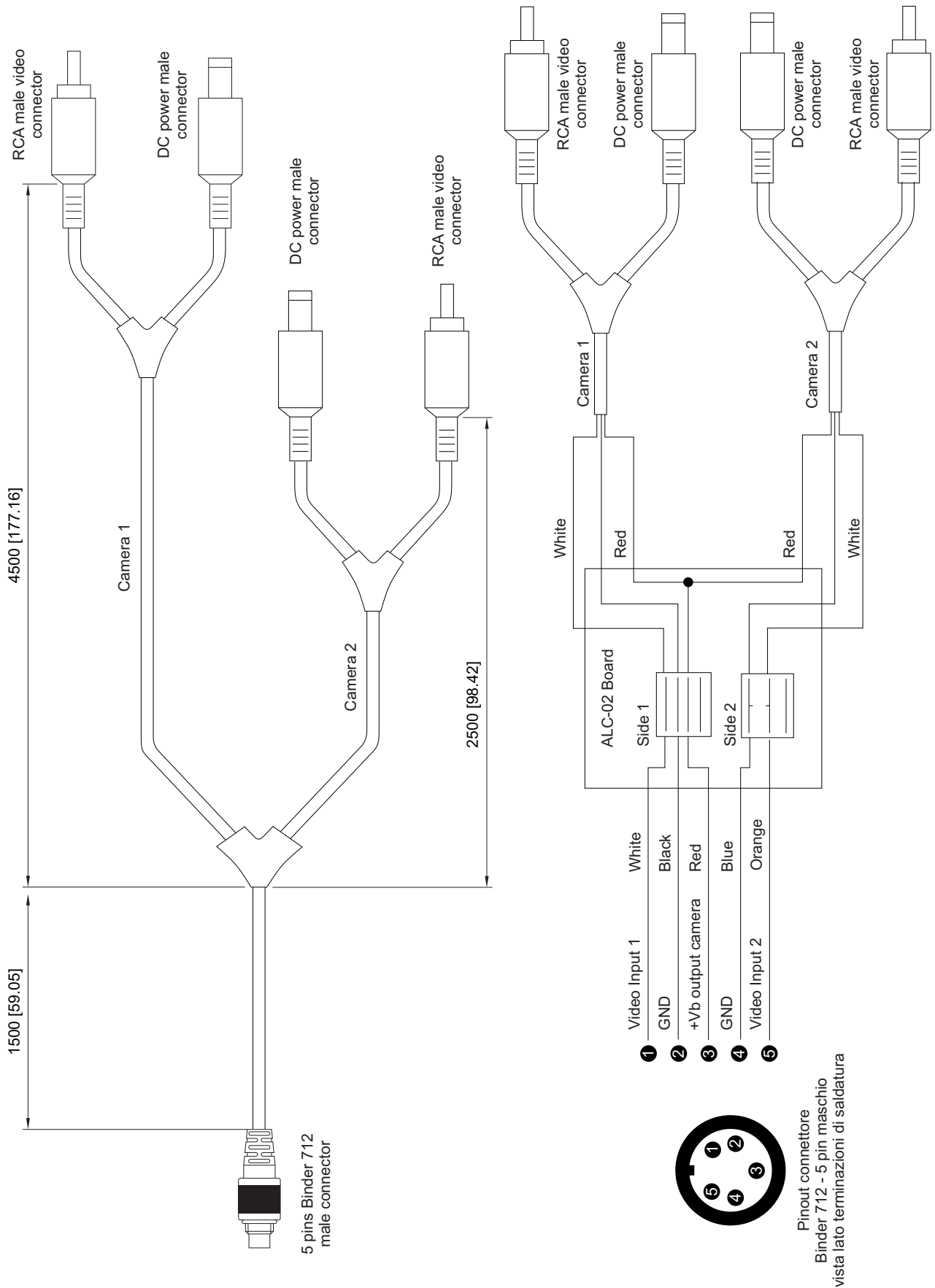
\* 2<sup>nd</sup> generation loggers



# AiM rear camera

Add-on for MX Series loggers\*

## Double non AiM rear camera patch cable



\* 2<sup>nd</sup> generation loggers