



## Installation guide

# Solo Bar Pad Motocross for handle bars with cross brace

---



# Solo Bar Pad Motocross for handle bars with cross brace

## Installation guide

Figure 1/11

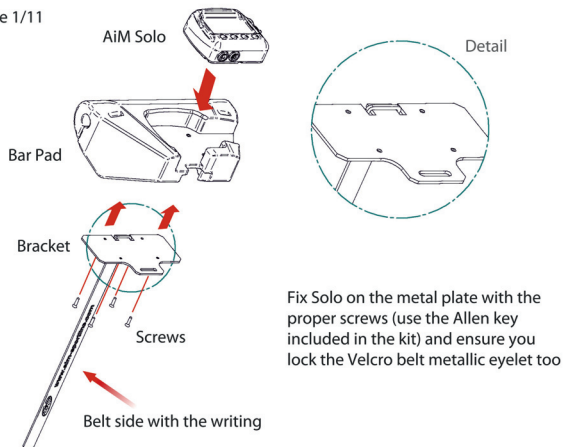


Figure 2/11

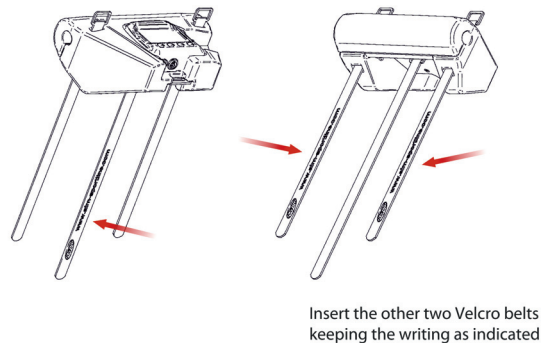


Figure 3/11

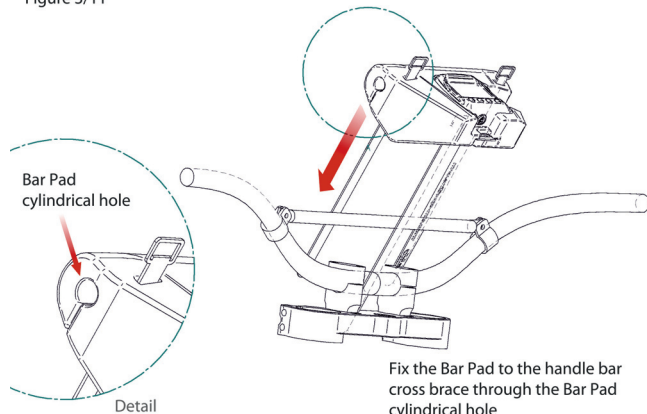


Figure 4/11

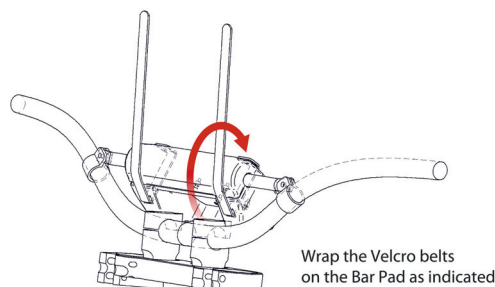


Figure 5/11

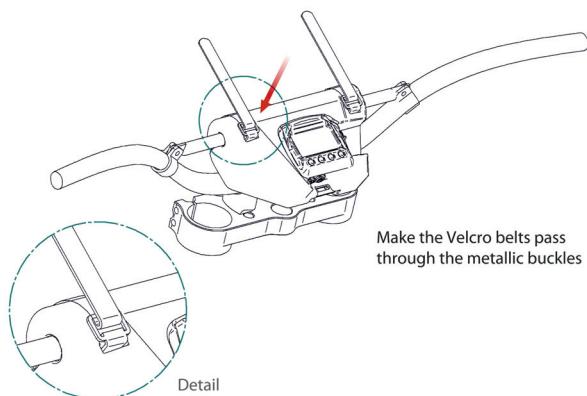
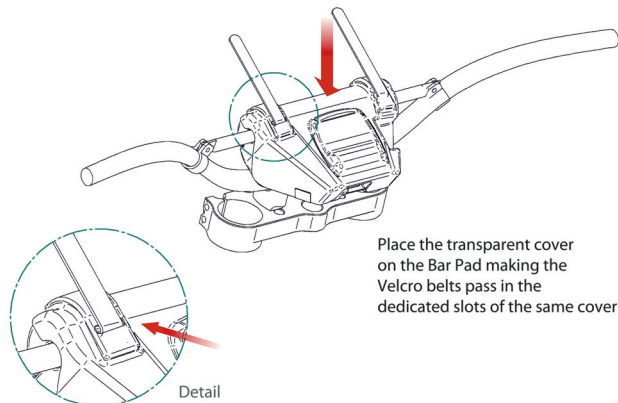


Figure 6/11



# Solo Bar Pad Motocross for handle bars with cross brace

## Installation guide

Figure 7/11

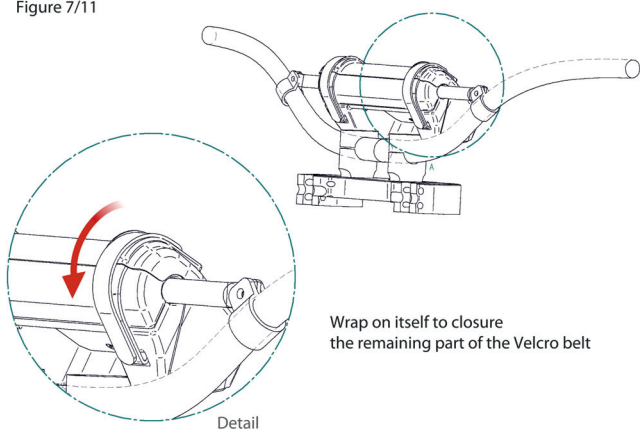


Figure 8/11

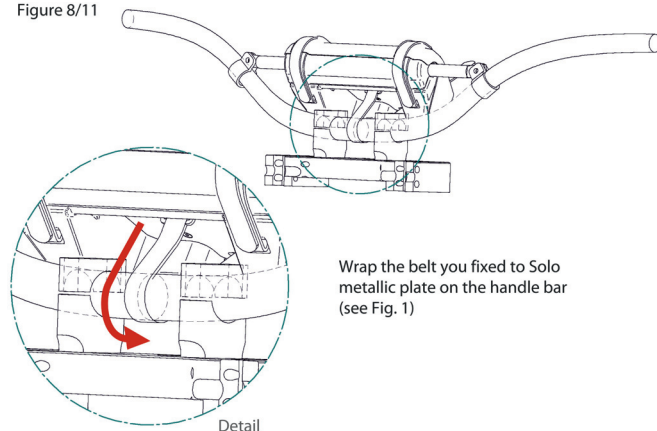


Figure 9/11

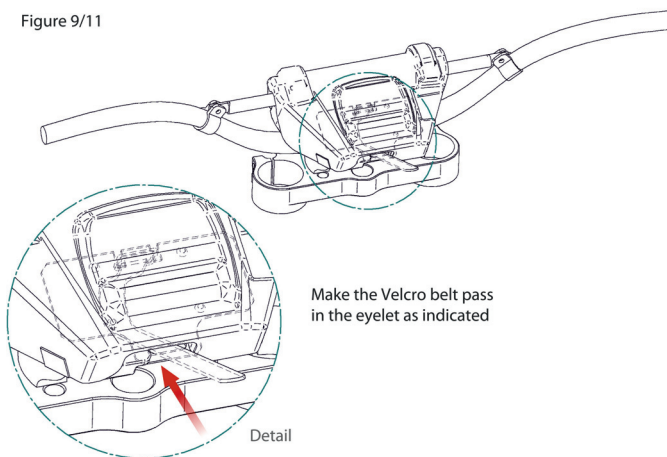


Figure 10/11

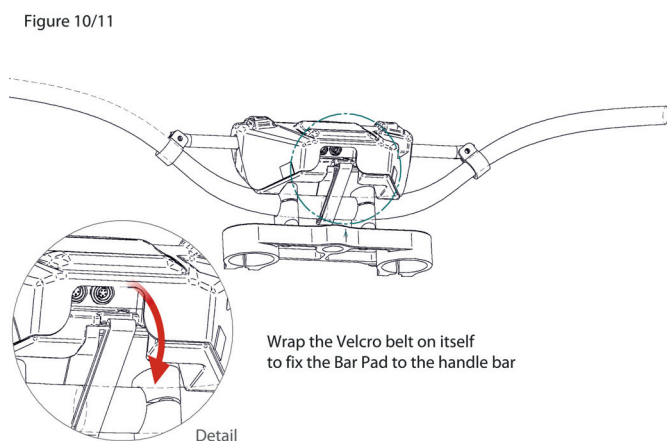


Figure 11/11

