



AiM Infotech

# AiM PDM Dash 6" TFT Display for PDM modules

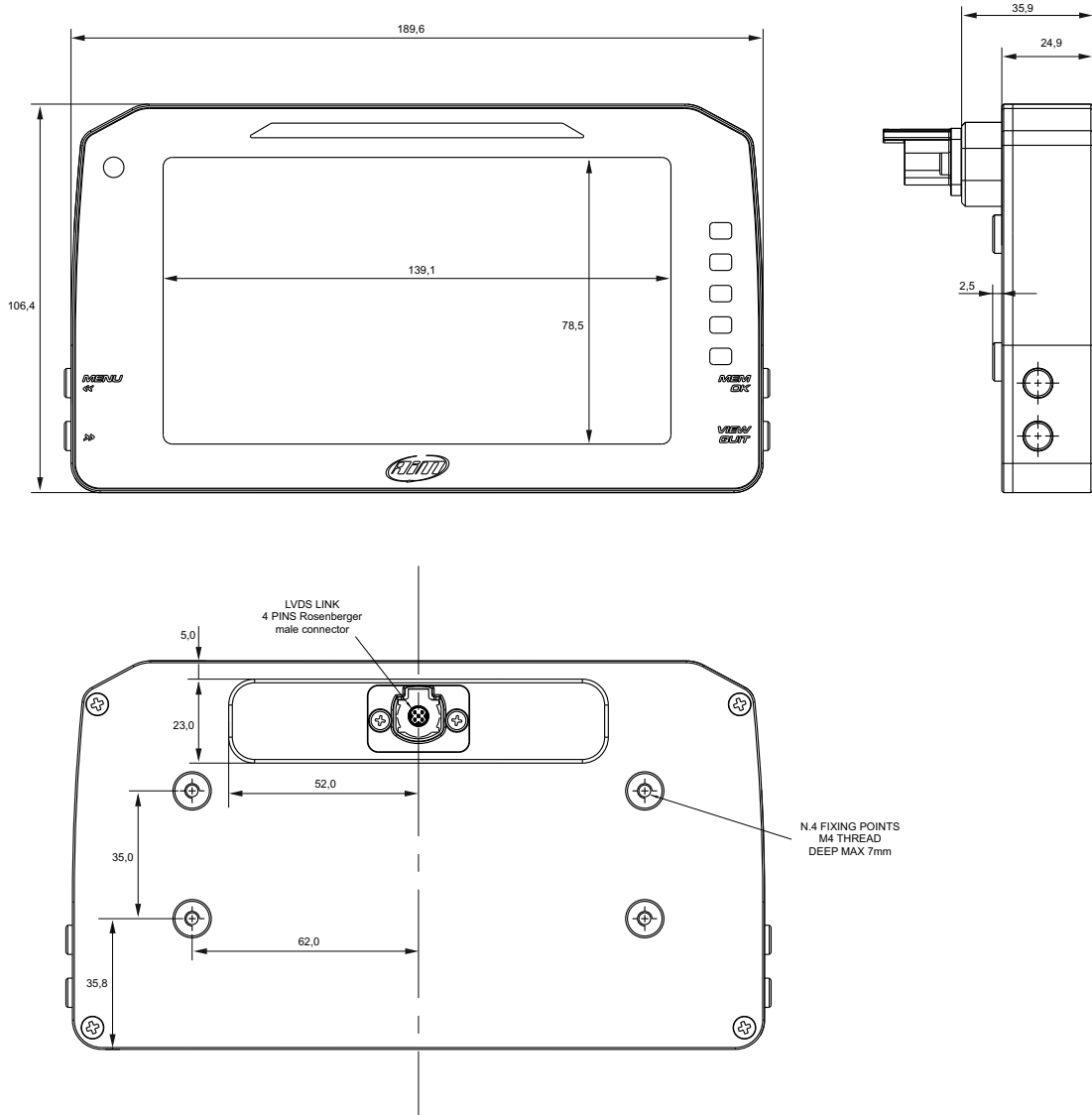
Release 1.00





# AiM PDM Dash 6"

TFT Display for PDM modules





# AiM PDM Dash 6"

## TFT Display for PDM modules

### Technical specifications

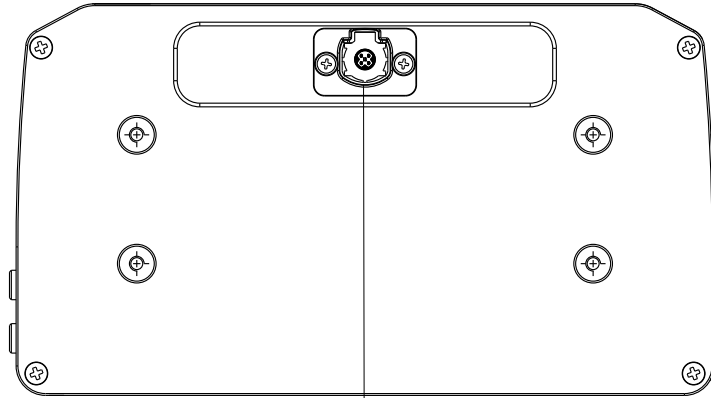
<b>Display</b>	6" TFT
<b>Resolution</b>	800x480 pixels
<b>Contrast</b>	600:1
<b>Brightness</b>	700cd/m2 - 1,100 Lumen
<b>Ambient light sensor</b>	Yes
<b>Status information LEDs</b>	5
<b>Shift Lights LEDs</b>	10
<b>Body</b>	Anodized Aluminum
<b>Pushbuttons</b>	Metallic
<b>Connectors</b>	LVDS Link 4 Pins Rosenberger male connector
<b>Dimensions</b>	189.6 x 106.4 x 24.9 mm
<b>Weight</b>	640 g
<b>Power consumption</b>	150 mA
<b>Waterproof</b>	IP65



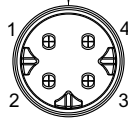
# AiM PDM Dash 6"

TFT Display for PDM modules

## Pinout



LVDS LINK  
4 PINS Rosenberger  
male connector  
(external view)



- 1 - Ground
- 2 - Serial Data +
- 3 - +V Power
- 4 - Serial Data -