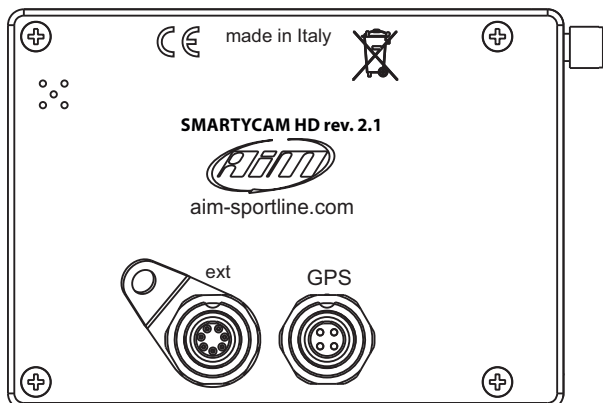
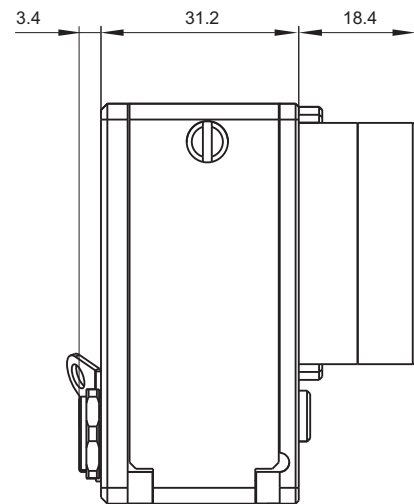
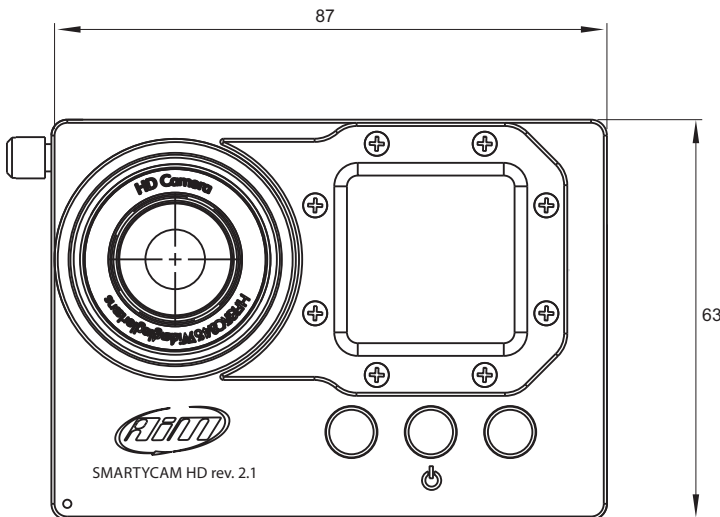




# AiM SmartyCam HD Rev. 2.1

On-board camera





# AiM SmartyCam HD Rev. 2.1

## On-board camera

### Technical characteristics

<b>Video format</b>	H.264 1280 x 720 pixels @ 30 fps
<b>Display resolution</b>	128 x 128 pixels
<b>Lens</b>	Telecentric with 6 elements
<b>Field of view</b>	67° or 84°
<b>Internal battery</b>	Rechargeable lithium battery 1.950 mAh
<b>Battery charge</b>	700 mAh 12V
<b>Battery duration</b>	120 - 150 min of recording
<b>External power</b>	9-15 Volt
<b>Supported SD card</b>	Up to 128 GB
<b>Memory capability</b>	1.5 GB (1 hour low quality recording) 2 GB (1 hour medium quality recording) 4 GB (1 hour high quality recording)
<b>Accelerometer</b>	Three-axial $\pm 5G$
<b>Usage temperatures</b>	-10°C/+60°C
<b>Auto Power ON</b>	Yes, if connected to an AiM logger
<b>Auto Power OFF</b>	Yes
<b>Auto Start/Stop Recording</b>	Yes
<b>Dimensions</b>	87 x 63 x 49 mm
<b>Weight</b>	280 g, battery included
<b>Waterproof</b>	IP67



# AiM SmartyCam HD Rev. 2.1

## On-board camera

### In the box

SmartyCam HD with 67° or 84° lens, CAN cable or external power cable, USB/AC power adapter, Battery charger, 4 Gb HC10 SD Card, CD for software installation, User manual

### Available versions

#### With 67° lens

<b>X98SHD00206721</b>	SmartyCam HD with 2 mt CAN Bus + 67° lens
<b>X98SHD02EM6721</b>	SmartyCam HD with 2 mt CAN Bus + 67° lens + Integrated external microphone harness
<b>X98SHD02J6721</b>	SmartyCam HD with 2 mt CAN Bus + 67° lens + Integrated 3.5 female Jack for external microphone harness
<b>X98SHD00406721</b>	SmartyCam HD with 4 mt CAN Bus + 67° lens
<b>X98SHD04EM6721</b>	SmartyCam HD with 4 mt CAN Bus + 67° lens + Integrated external microphone harness
<b>X98SHD04J6721</b>	SmartyCam HD with 4 mt CAN Bus + 67° lens + Integrated 3.5 female Jack for external microphone harness
<b>X98SHD00106721</b>	SmartyCam HD with 2 mt external power cable + 67° lens
<b>X98SHD1EM26721</b>	SmartyCam HD with 2 mt external power cable + 67° lens + Integrated external microphone harness
<b>X98SHD1J26721</b>	SmartyCam HD with 2 mt external power cable + 67° lens + Integrated 3.5 female Jack for external microphone harness
<b>X98SHD1EM46721</b>	SmartyCam HD with 4 mt external power cable + 67° lens + Integrated external microphone harness
<b>X98SHD1J46721</b>	SmartyCam HD with 4 mt external power cable + 67° lens + Integrated 3.5 female Jack for external microphone harness

#### With 84° lens

<b>X98SHD00208421</b>	SmartyCam HD with 2 mt CAN Bus + 84° lens
<b>X98SHD02EM8421</b>	SmartyCam HD with 2 mt CAN Bus + 84° lens + Integrated external microphone harness
<b>X98SHD02J8421</b>	SmartyCam HD with 2 mt CAN Bus + 84° lens + Integrated 3.5 female Jack for external microphone harness
<b>X98SHD00408421</b>	SmartyCam HD with 4 mt CAN Bus + 84° lens
<b>X98SHD04EM8421</b>	SmartyCam HD with 4 mt CAN Bus + 84° lens + Integrated external microphone harness
<b>X98SHD04J8421</b>	SmartyCam HD with 4 mt CAN Bus + 84° lens + Integrated 3.5 female Jack for external microphone harness
<b>X98SHD00108421</b>	SmartyCam HD with 2 mt external power cable + 84° lens
<b>X98SHD1EM28421</b>	SmartyCam HD with 2 mt external power cable + 84° lens + Integrated external microphone harness
<b>X98SHD1J28421</b>	SmartyCam HD with 2 mt external power cable + 84° lens + Integrated 3.5 female Jack for external microphone harness



# AiM SmartyCam HD Rev. 2.1

## On-board camera

<b>X98SHD1EM48421</b>	SmartyCam HD with 4 mt external power cable + 84° lens + Integrated external microphone harness
<b>X98SHD1J48421</b>	SmartyCam HD with 4 mt external power cable + 84° lens + Integrated 3.5 female Jack for external microphone harness

### Accessories

<b>X40GPS8SHD20</b>	GPS08 Module for SmartyCam HD with 2 m length cable
<b>X40GPS8SHD40</b>	GPS08 Module for SmartyCam HD with 4 m length cable
<b>X40GPS8SHD2R</b>	GPS08 Module for SmartyCam HD Roof version with 2 m length cable
<b>X40GPS8SHD4R</b>	GPS08 Module for SmartyCam HD Roof version with 4 m length cable
<b>X90KSSMC1</b>	<b>Suction cup kit</b> In the box: suction cup, 60 mm arm, ball head, washer
<b>X90KSSMC0</b>	<b>Kit for 1 to 2.1 inches Ø bar</b> In the box: Handlebar bracket, 60 mm arm, ball head, washer
<b>X90KSTP00</b>	<b>Kit for 0.5 to 1.2 inches Ø bar</b> In the box: U-bolt, 60 mm arm, ball head, washer
<b>X98KVOCHD0</b>	<b>Glass replacement kit</b> The kit includes the Schott B270 glass and his o-ring OR30X1, designed for long lasting resistance to any kind of stress
<b>X98KVDCHD0</b>	<b>Display glass replacement kit</b> Methacrylate anti-glare anti-scratch protection

### Cable + external microphone:

<b>V02566080</b>	2 mt external power cable + Integrated external microphone harness
<b>V02566230</b>	4 mt external power cable + Integrated external microphone harness
<b>V02566310</b>	2 mt external power cable + Integrated 3.5 female Jack for external microphone harness
<b>V02566320</b>	4 mt external power cable + Integrated 3.5 female Jack for external microphone harness
<b>V02566100</b>	2 mt CAN Bus + Integrated external microphone harness
<b>V02566240</b>	4 mt CAN Bus + Integrated external microphone harness
<b>V02566290</b>	2 mt CAN Bus + Integrated 3.5 female Jack for external microphone harness
<b>V02566300</b>	4 mt CAN Bus + Integrated 3.5 female Jack for external microphone harness

### Spare parts

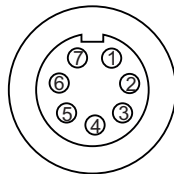
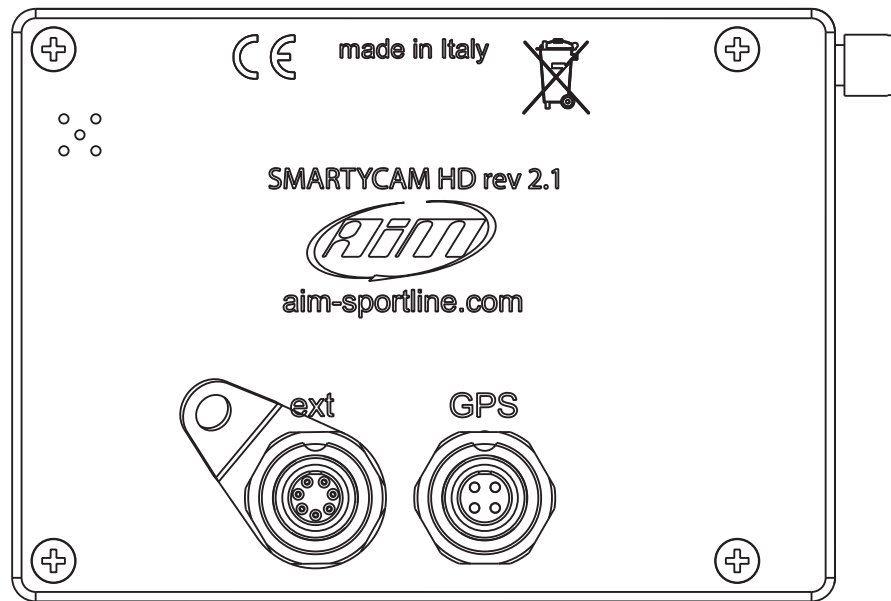
<b>X90TMPC002</b>	USB cable
<b>V02566070</b>	2 mt CAN harness
<b>V02566060</b>	4 mt CAN harness
<b>V02566150</b>	2 mt external power harness



# AiM SmartyCam HD Rev. 2.1

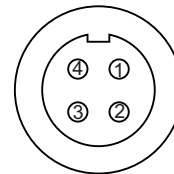
On-board camera

## Pinout



7 pins Binder 712  
female connector pinout  
external view (Ext)

1 - CAN+  
2 - GND  
3 - +Vb  
4 - CAN-  
5 - +Vbext  
6 - GND  
7 - Mic+



4 pins Binder 712  
female connector pinout  
external view (GPS)

1 - CAN+  
2 - GND  
3 - +Vb  
4 - CAN-